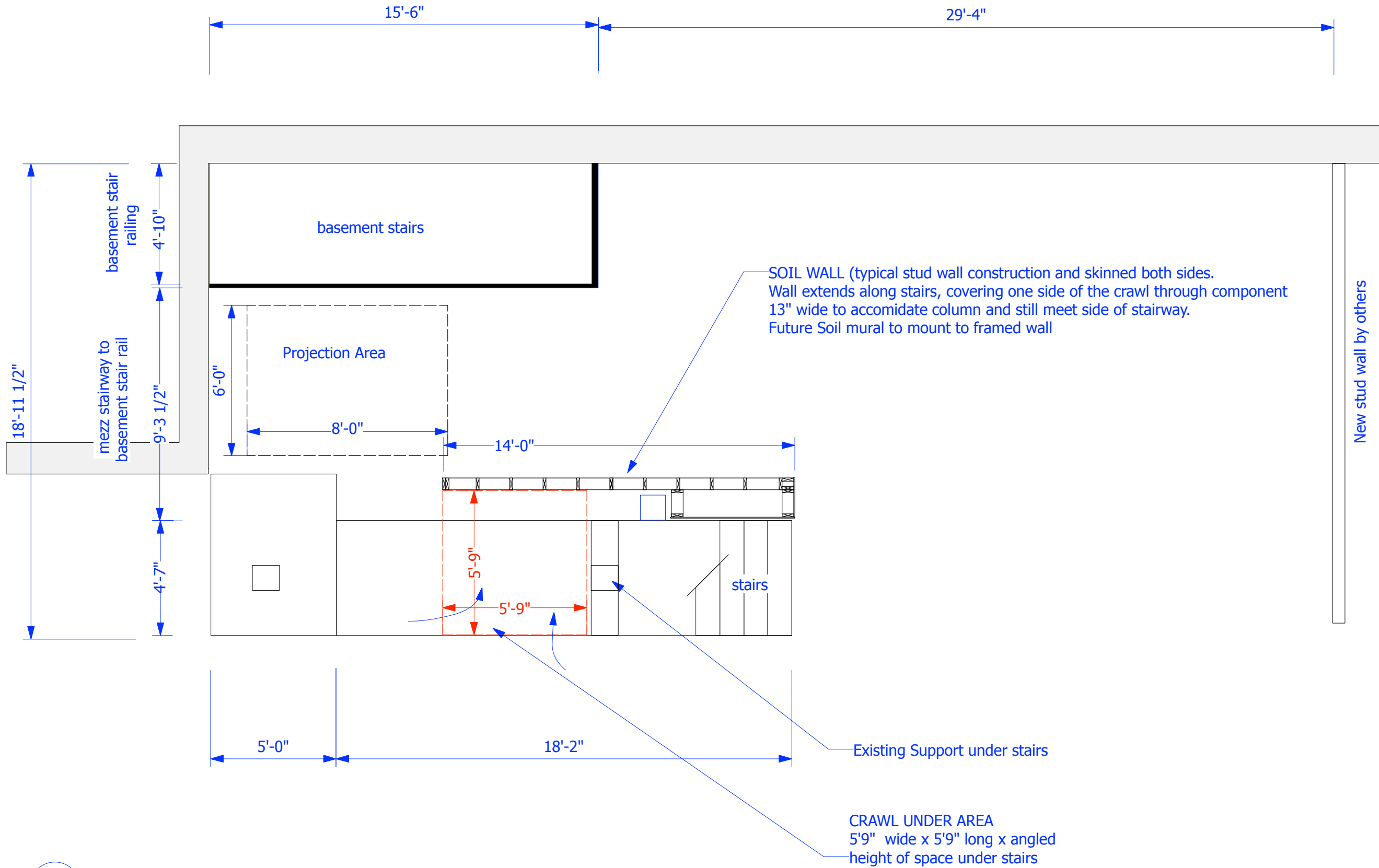
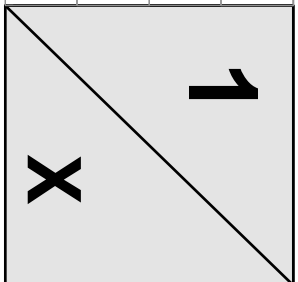


FINAL DESIGN

SOUTH DAKOTA DISCOVERY CENTER	Date:
SOIL EXHIBITS	3/3/20
DESIGNED BY:	P. Quinlan
DRAWN BY:	P. Quinlan
EXHIBIT AREA PLAN VIEW	Rvsr#
	4

Des. By:	P. Quinlan
Drawn By:	P. Quinlan
Rvsr#	4

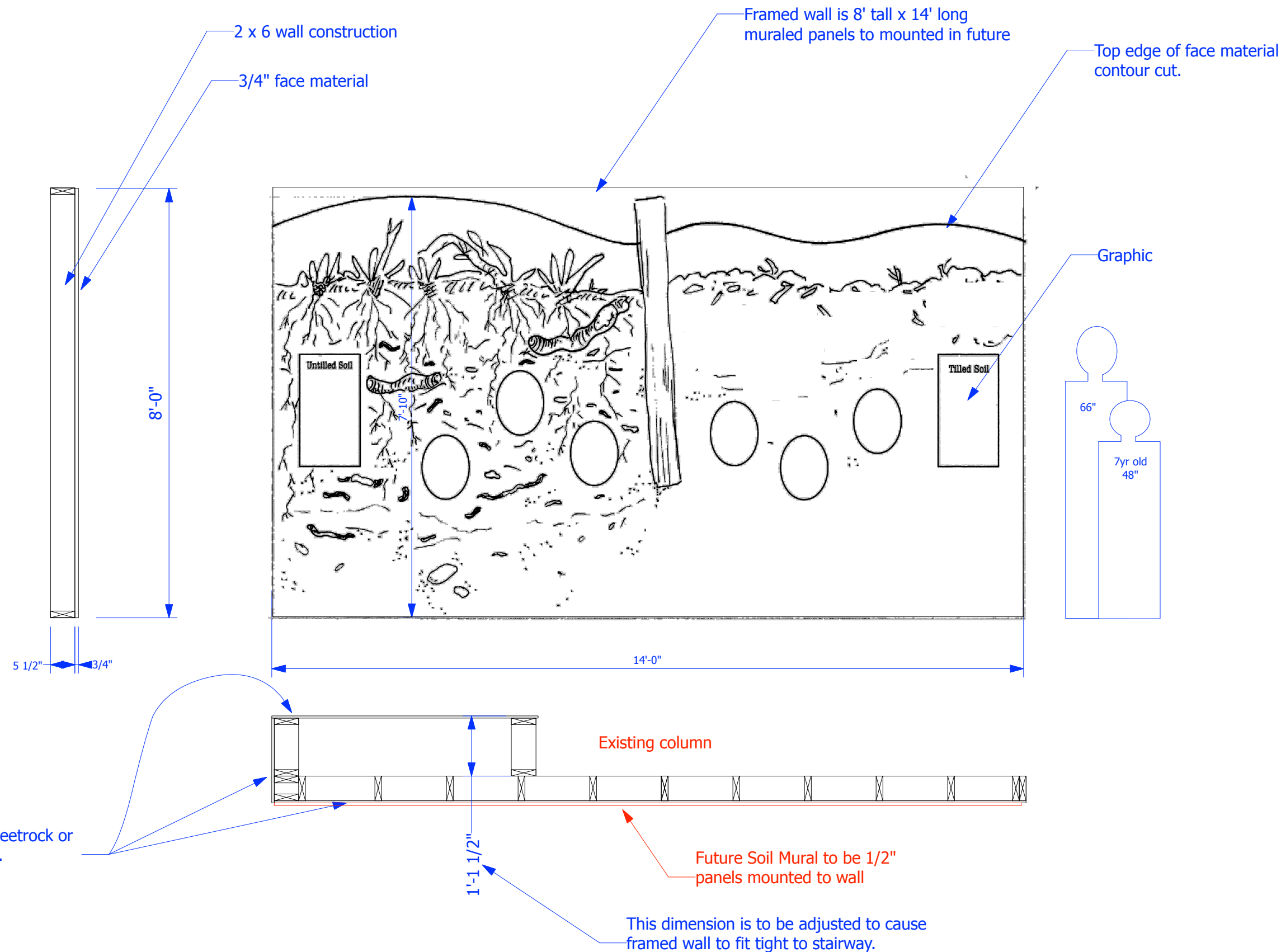
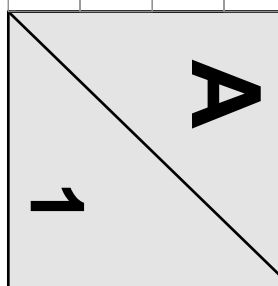


SDDC ROUGH FLOOR PLAN
 Scale: 1/4" = 1'-0"

FINAL DESIGN

SOUTH DAKOTA DISCOVERY CENTER	Date:
SOIL EXHIBITS	3/3/20
SOIL WALL FRONT & SIDE ELEVATION	Des. By: P. Quinlan
	Drawn By: P. Quinlan
	Rev#:

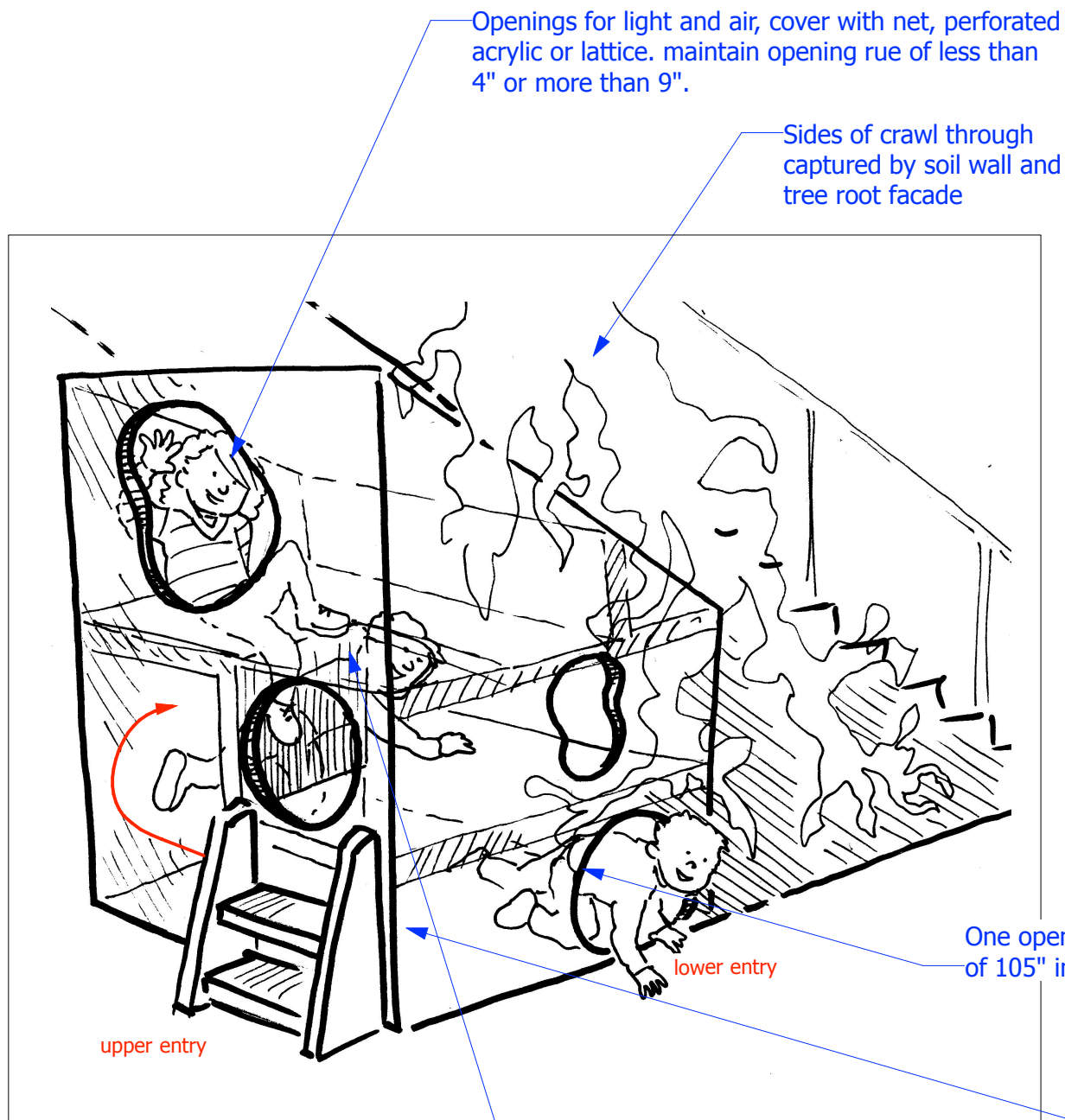
	Date:
	3/3/20
	Des. By: P. Quinlan
	Drawn By: P. Quinlan
	Rev#:



SDDC SOIL WALL FRONT AND SIDE ELEVATION
 Scale: 1/2" = 1'-0"

FINAL DESIGN

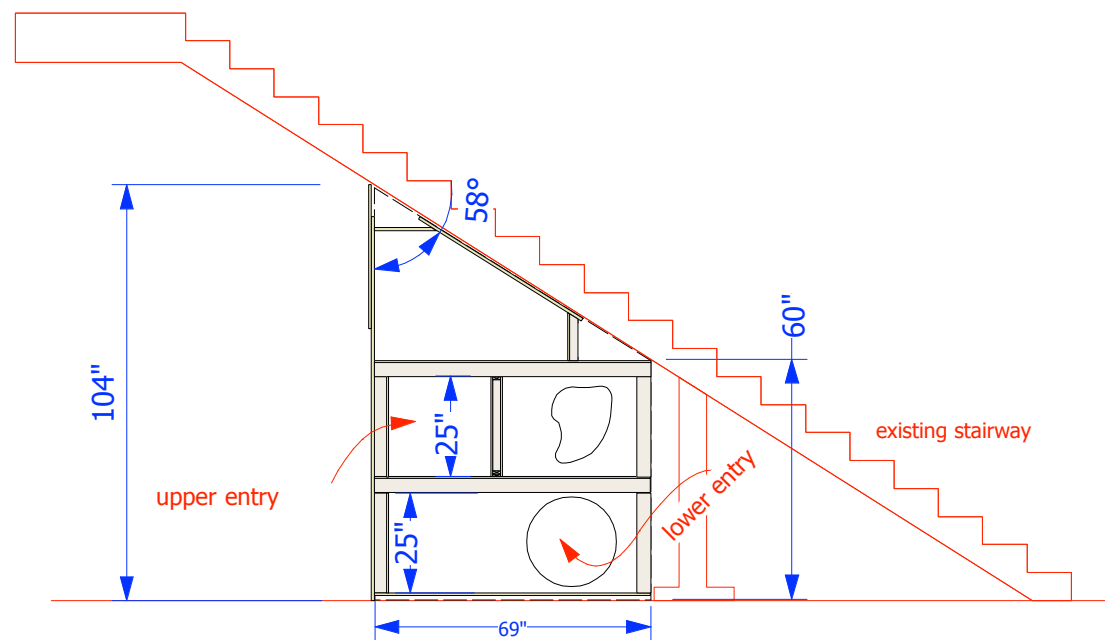
OVERVIEW-DETAILS	ROOT CRAWL-THROUGH	SOIL EXHIBITS	SOUTH DAKOTA DISCOVERY CENTER	Date: 3/3/20
				Des. By: P. Quinlan
				Drawn By: P. Quinlan
				Rev#:



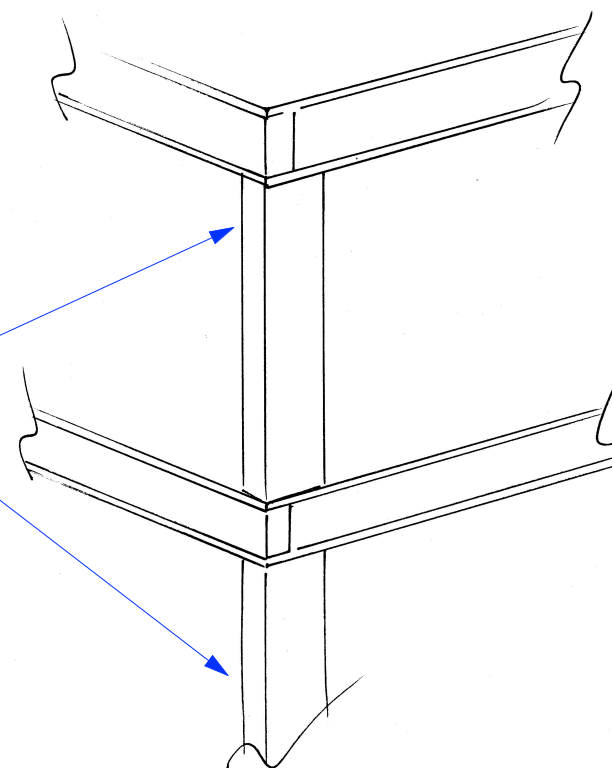
Overview of root crawl-through; The unit is captured on the sides by the tree facade and the soil wall. The front panel is scenic painted 1/2" MDO plywood. All openings are softened.

Safe climbing routes; interior panels block kids from landing on each other.

front corners have 2 x4 post to hold corners of deck



ROOT CRAWL-THROUGH FRONT ELEVATION
 Scale: 1/4" = 1'-0"



CONCEPT

SOUTH DAKOTA DIXSCOVERY CENTER

Date: 11/20/19

SOIL EXHIBITS

Des. By: P. Quinlan

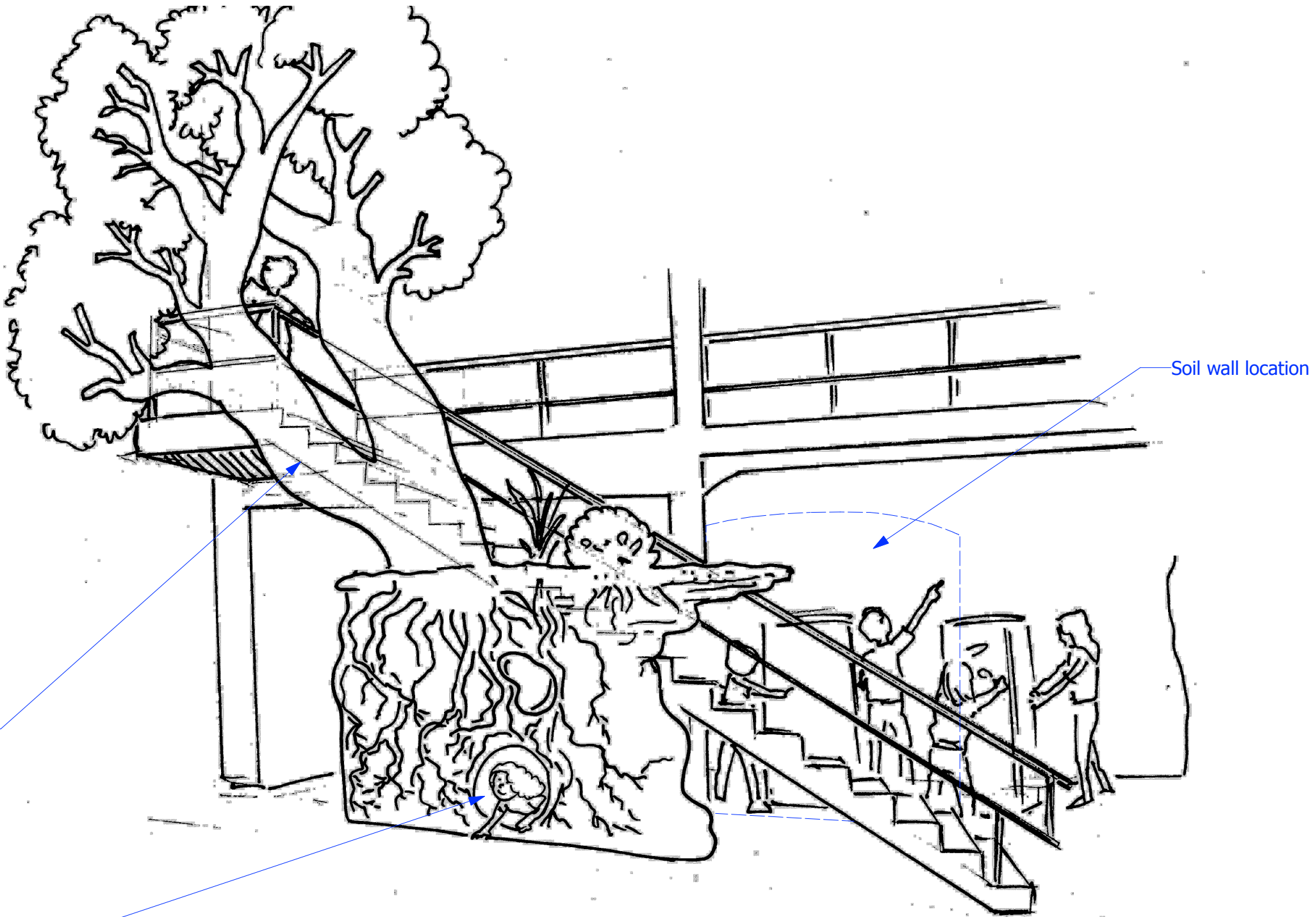
TREE FACADE OVERVIEW

Drawn By: P. Quinlan

Rvsr#

C

1



Soil wall location

Tree facade mounted to stairway, construction TBD

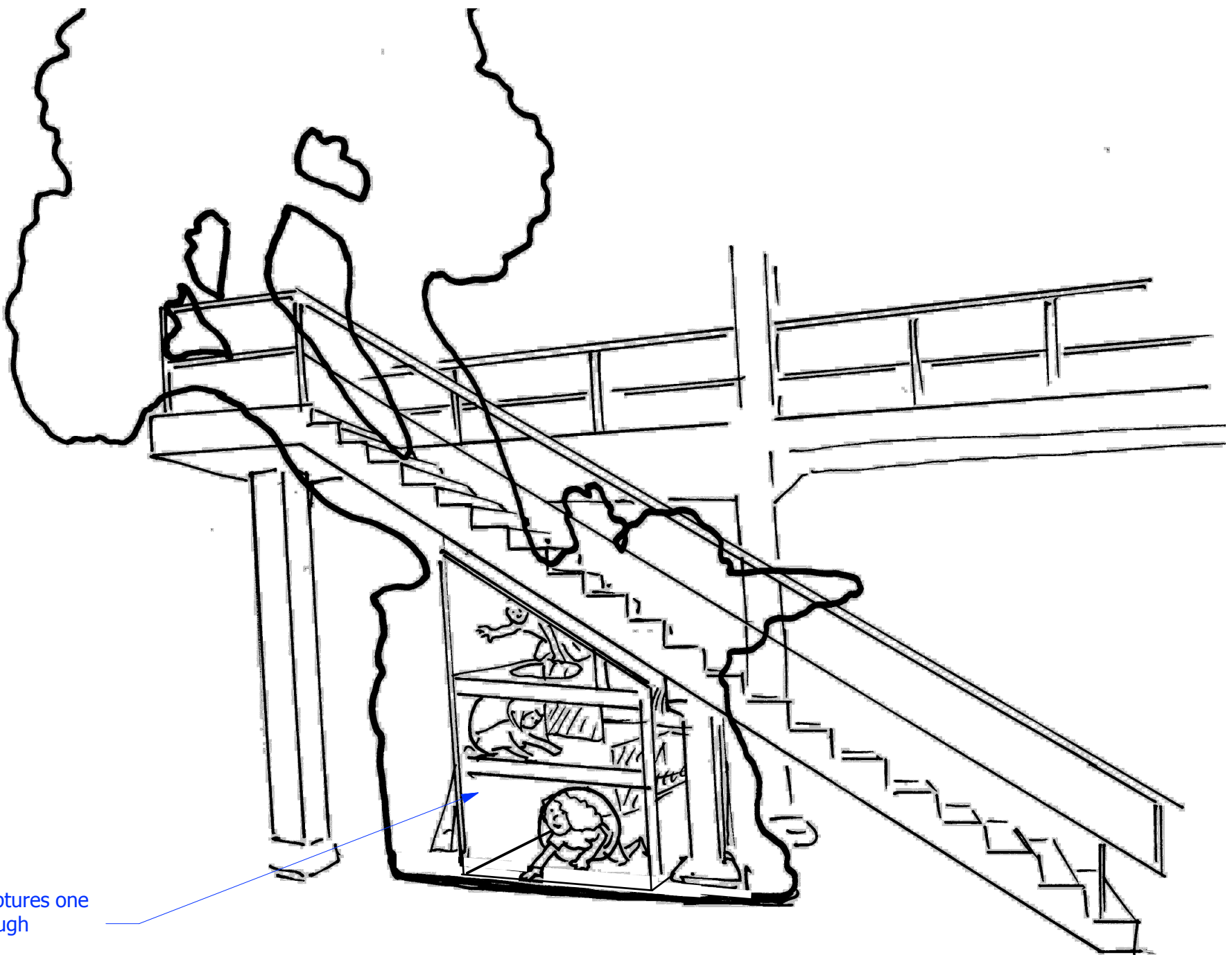
Opening in facade to enter the root crawl-through

FINAL DESIGN

SOUTH DAKOTA DISCOVERY CENTER	Date: 11/22/19
SOIL EXHIBITS	Des. By: P.Quinlan
	Drawn. By: P.Quinlan
CRAWL-THROUGH PLACEMENT OVERVIEW	Revs# #

C

2

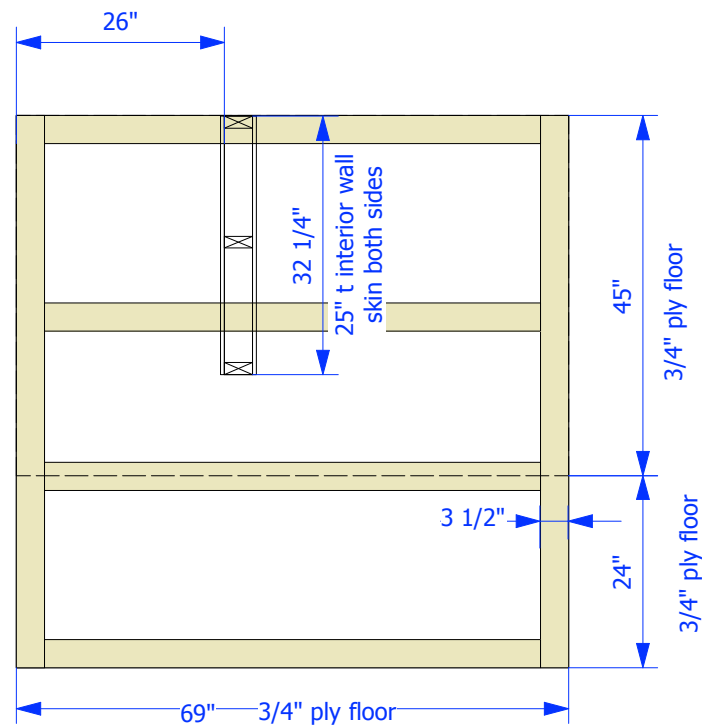


Facade of tree captures one side of crawl-through

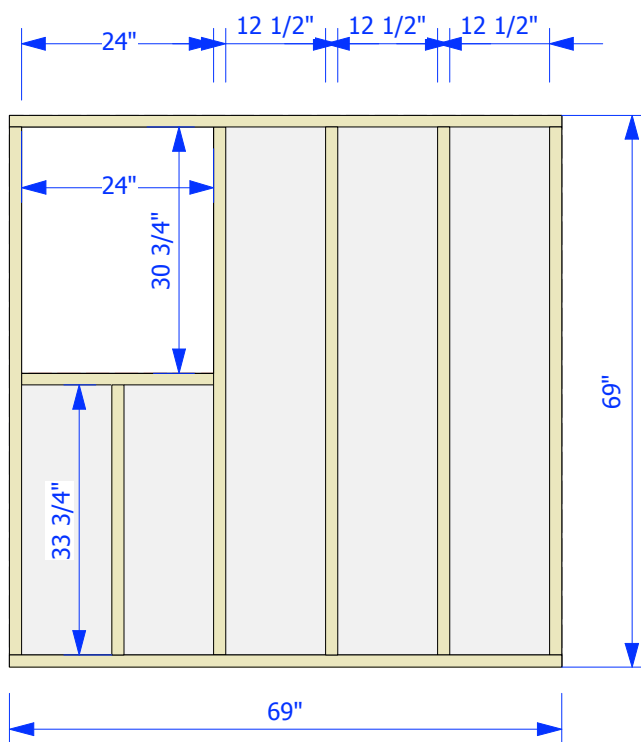
FINAL DESIGN

PLAN VIEWS	SOUTH DAKOTA DISCOVERY CENTER
	SOIL EXHIBITS
	CRAWL THROUGH DECK FRAMING

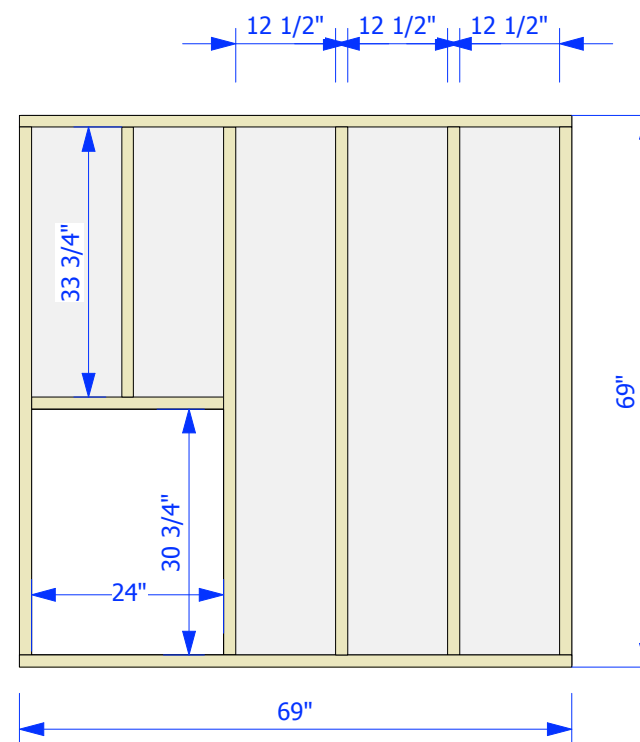
Date:	3/3/20
Des. By:	P. Quinlan
Drawn By:	P. Quinlan
Rev#:	



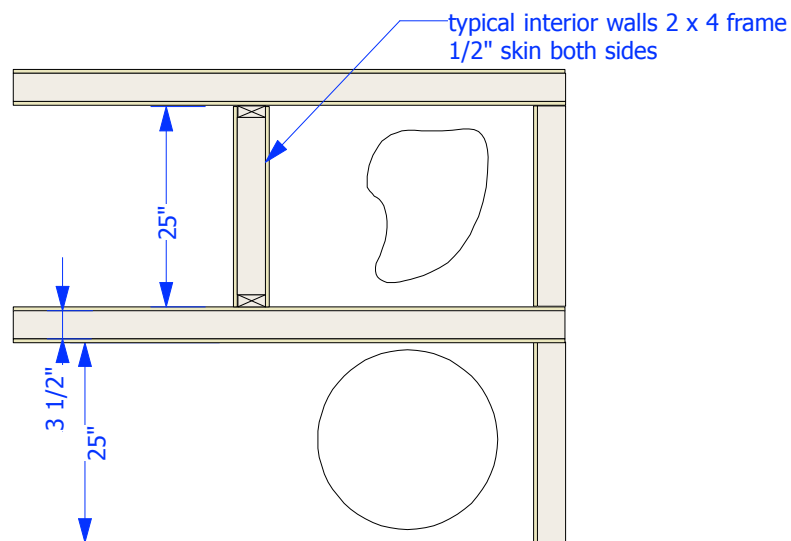
DECK 1 FRAME & DECK PLAN
 Scale: 1/2" = 1'-0"



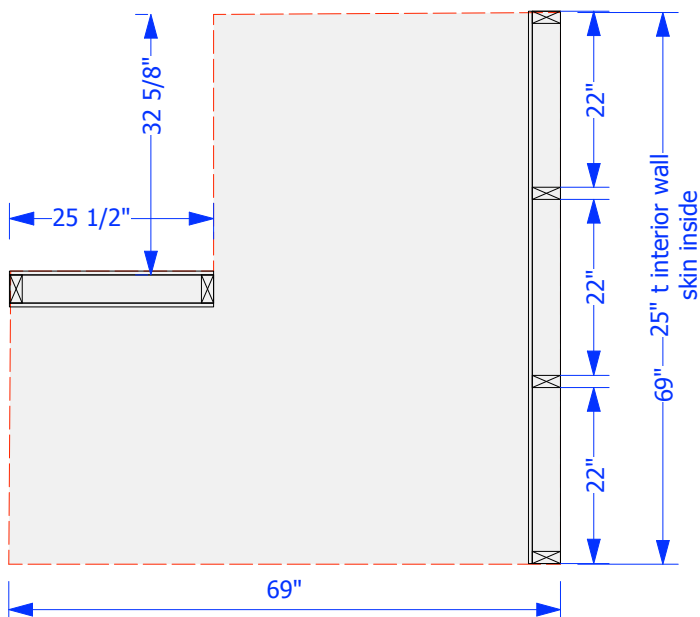
DECK 2 FRAME PLAN
 Scale: 1/2" = 1'-0"



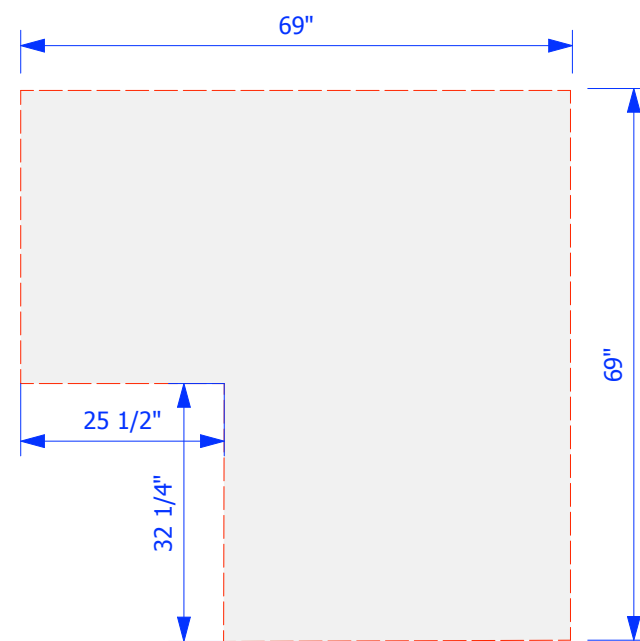
DECK 3 FRAME PLAN
 Scale: 1/2" = 1'-0"



SIDE ELEVATION
 Scale: 1/2" = 1'-0"



DECK 2 ply skins
 Scale: 1/2" = 1'-0"



DECK 3 ply skins
 Scale: 1/2" = 1'-0"