

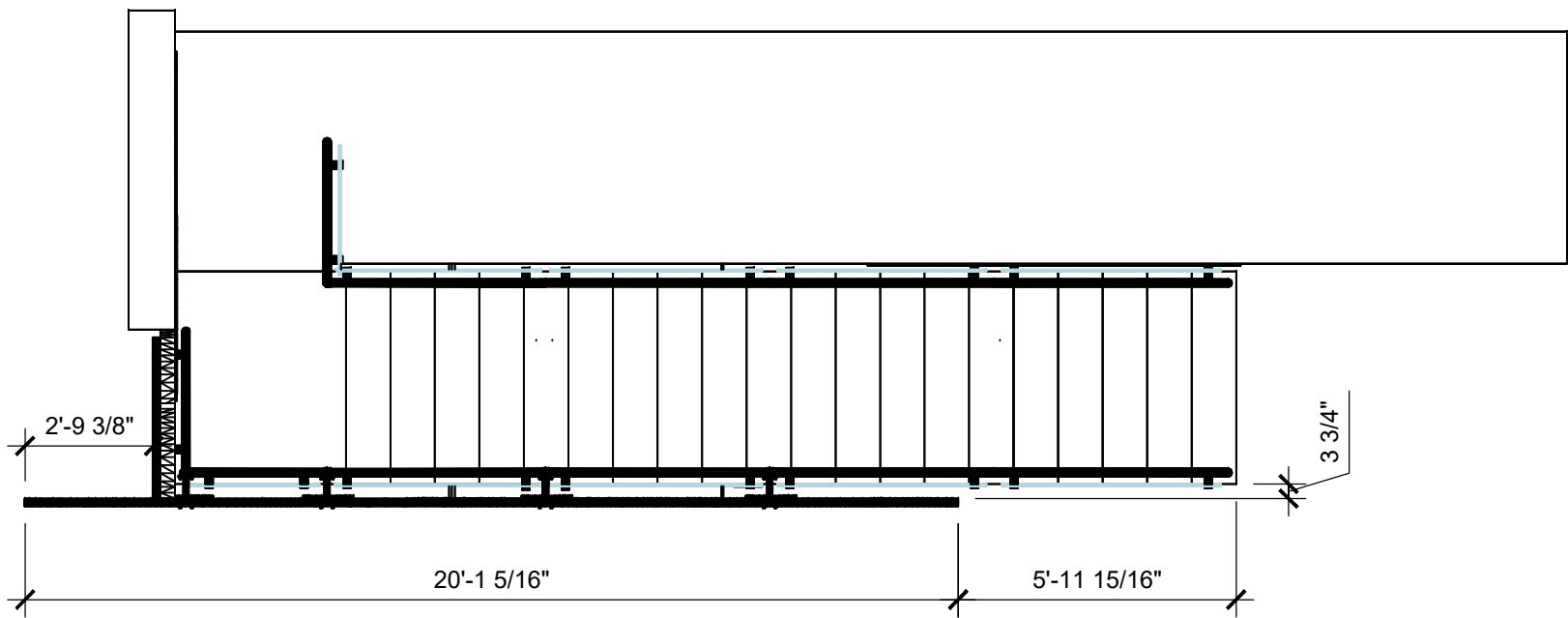
## Construction Drawings

South Dakota Discovery Center	Date:	06/23/20
Soil Exhibits	Des. By:	PQ
Tree Crawl Through- Overall	Dwnr. By:	GS
Plan View	Rvsn #	0

**EX**  
**01**

### NOTES:

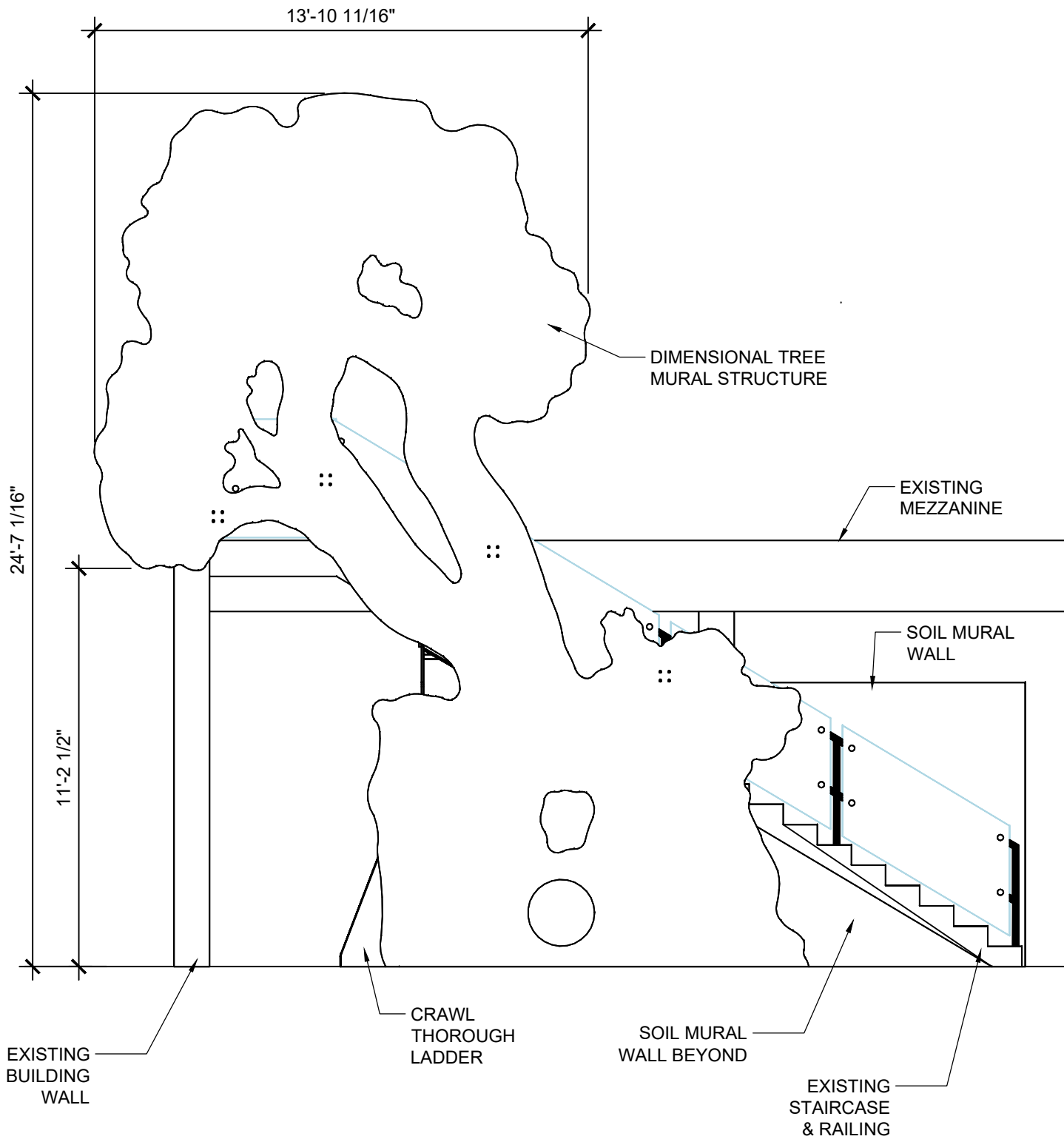
- CLIENT TO VERIFY ALL FIELD DIMENSIONS PRIOR TO FABRICATION



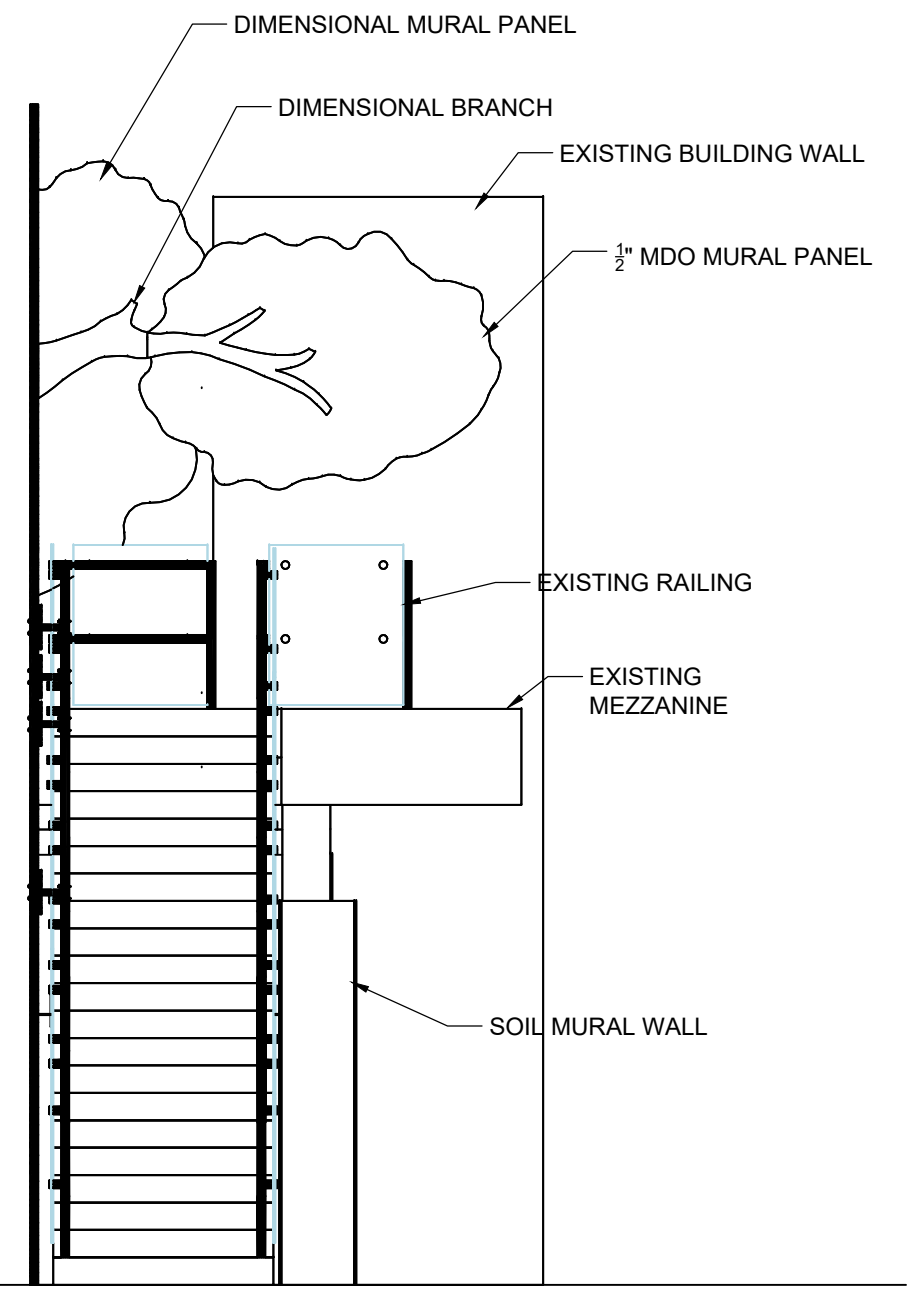
1 TOP VIEW  
SCALE: 1/4"=1'-0"

Construction Drawings

South Dakota Discovery Center	Date:	06/23/20
Soil Exhibits	Des. By:	PQ
Tree Crawl Through- Overall	Dwn. By:	GS
Front Elevation	Rvsn #	0



**1 FRONT ELEVATION**  
 SCALE: 1/4"=1'-0"



**2 SIDE ELEVATION**  
 SCALE: 1/4"=1'-0"

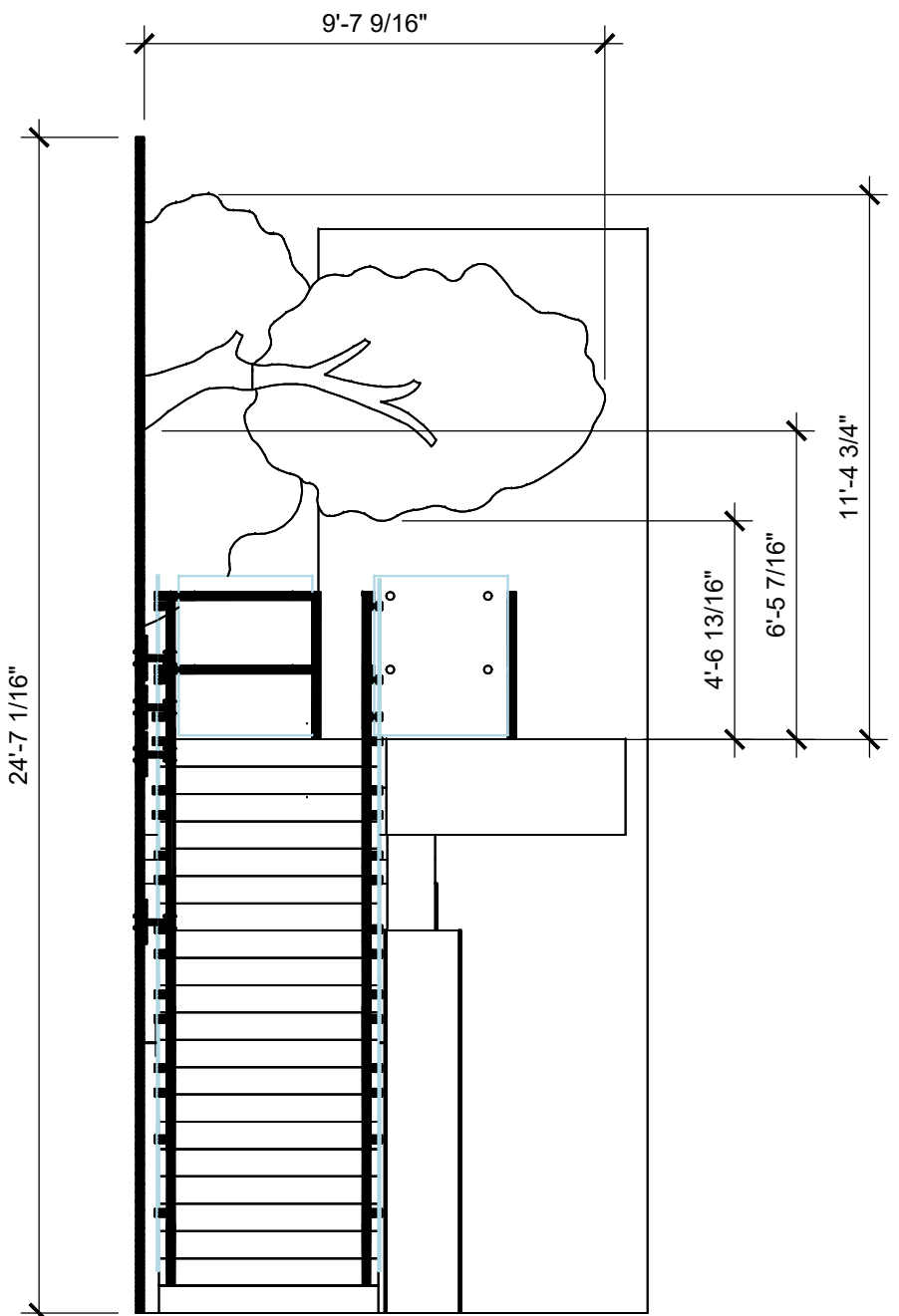
**EX**  
**02**

## Construction Drawings

South Dakota Discovery Center	Blotter: 06/23/20
Soil Exhibits	Des. By: PQ
Tree Crawl Through- Overall	Dwnr. By: GS
Side Elevation	Rvsn # 0

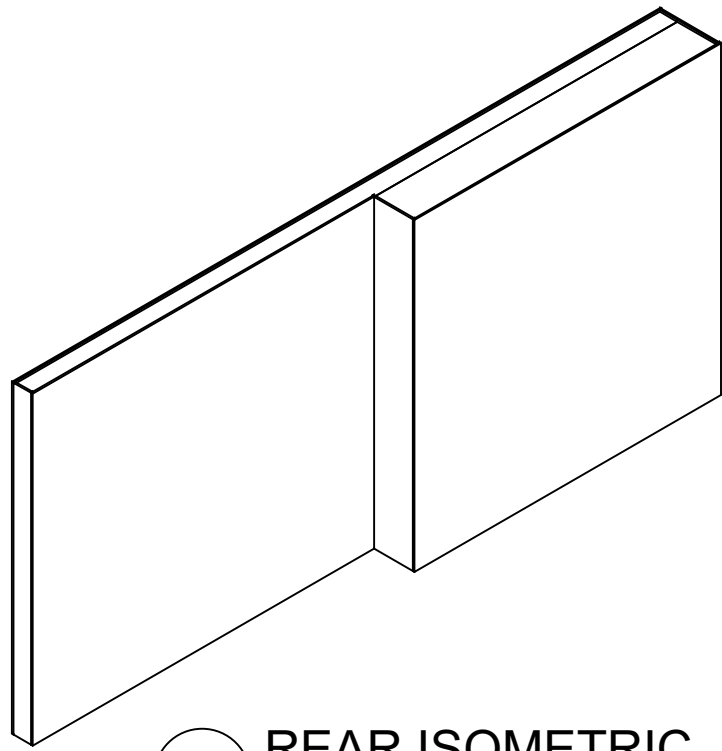
**EX**

**03**

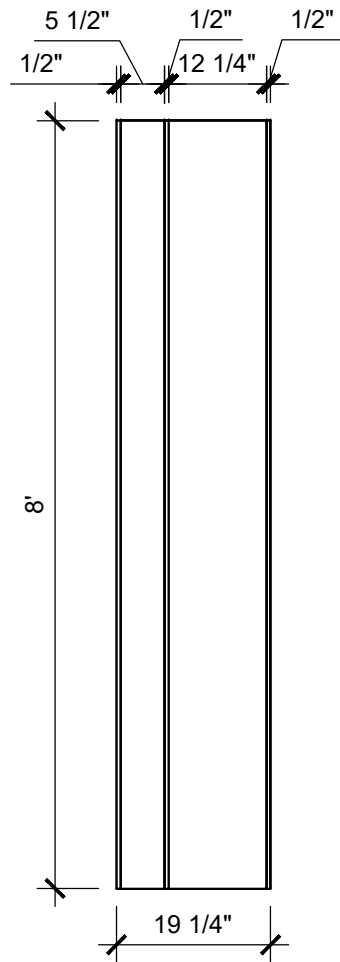


## 1 SIDE ELEVATION

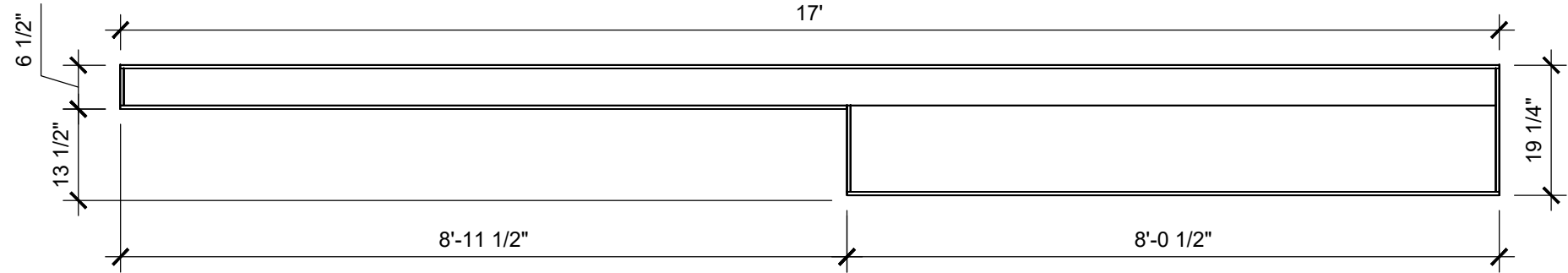
SCALE: 1/4"=1'-0"



**1 REAR ISOMETRIC**  
NO TO SCALE



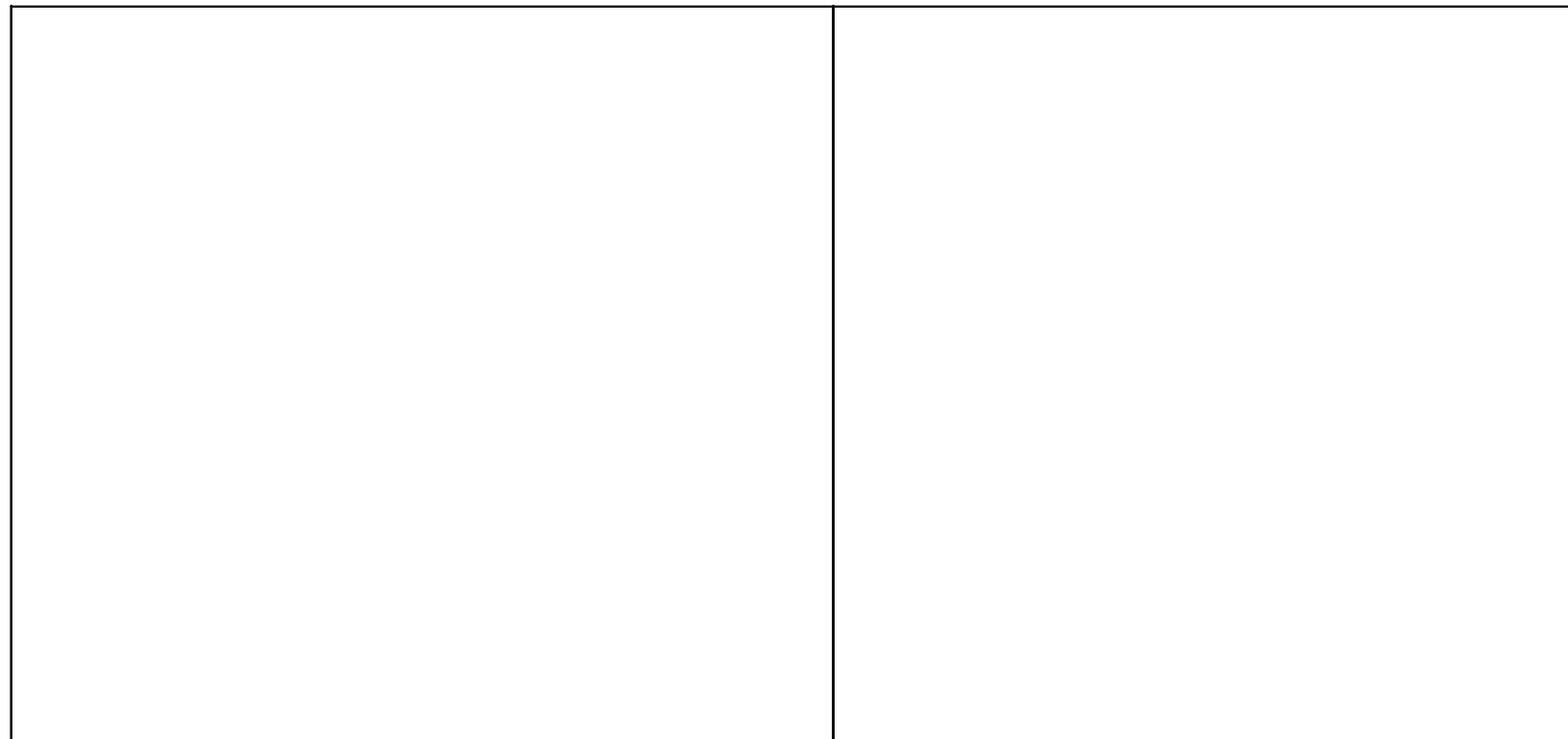
**2 SIDE ELEVATION**  
SCALE: 1/2"=1'-0"



**4 TOP VIEW**  
SCALE: 1/2"=1'-0"

**NOTES:**

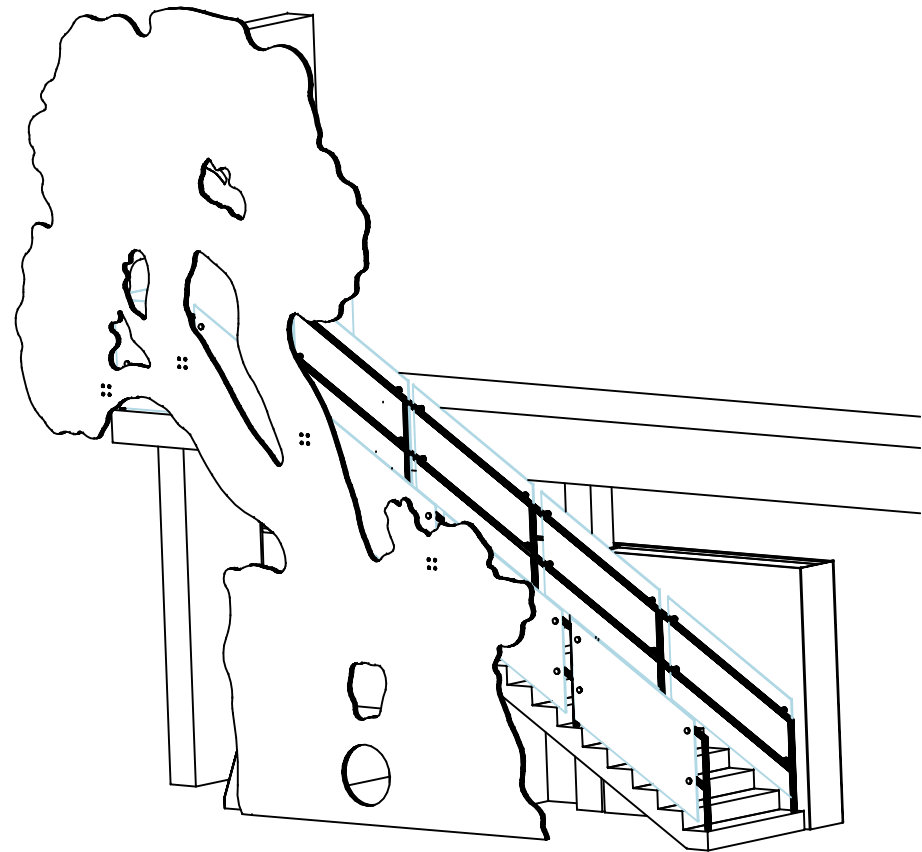
- 2X6 & MDO CONSTRUCTION
- SOFTEN ALL EXPOSED EDGES
- PAINT FINISH



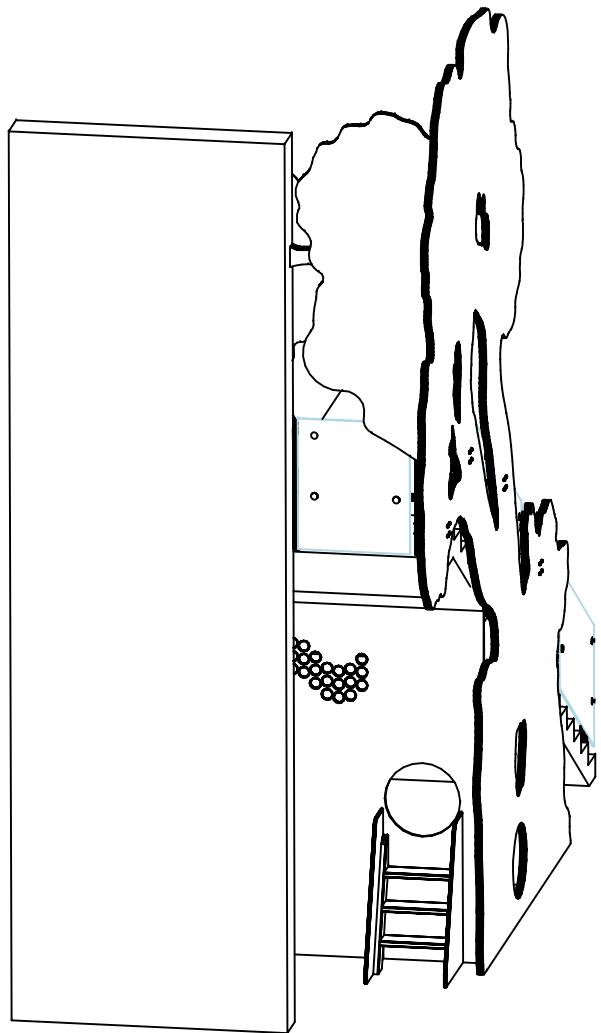
**3 FRONT ELEVATION**  
SCALE: 1/2"=1'-0"

**Construction Drawings**

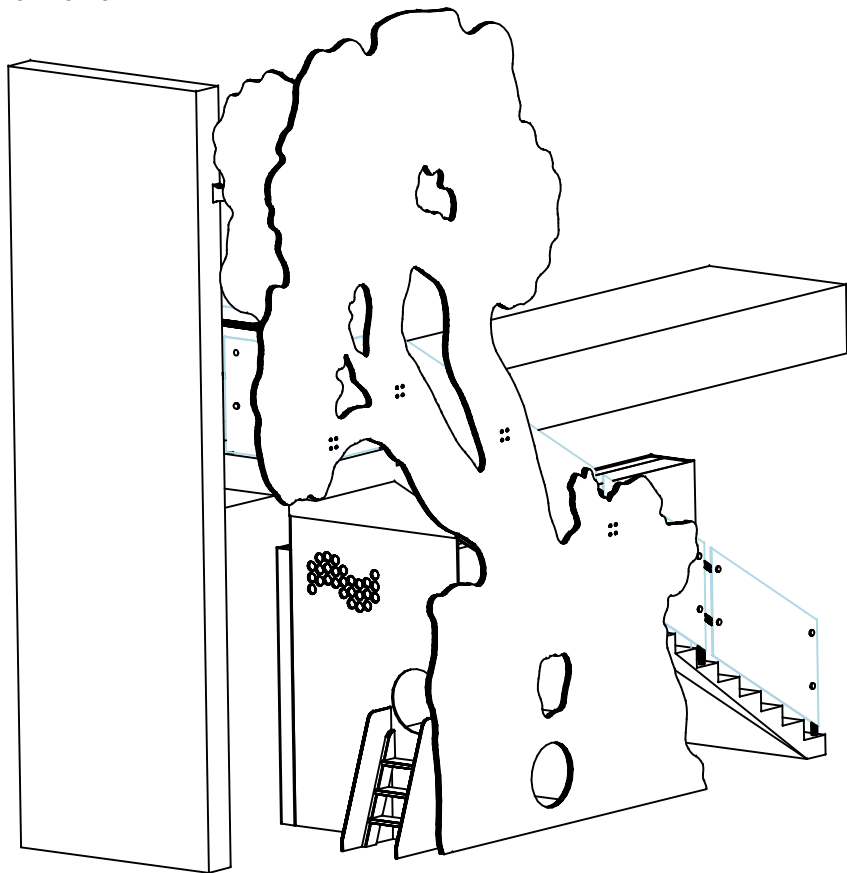
South Dakota Discovery Center	Des. By:	06/23/20
Soil Exhibits	Des. By:	PQ
Soil Wall	Dwnr. By:	GS
Elevations	Rvsn #	0



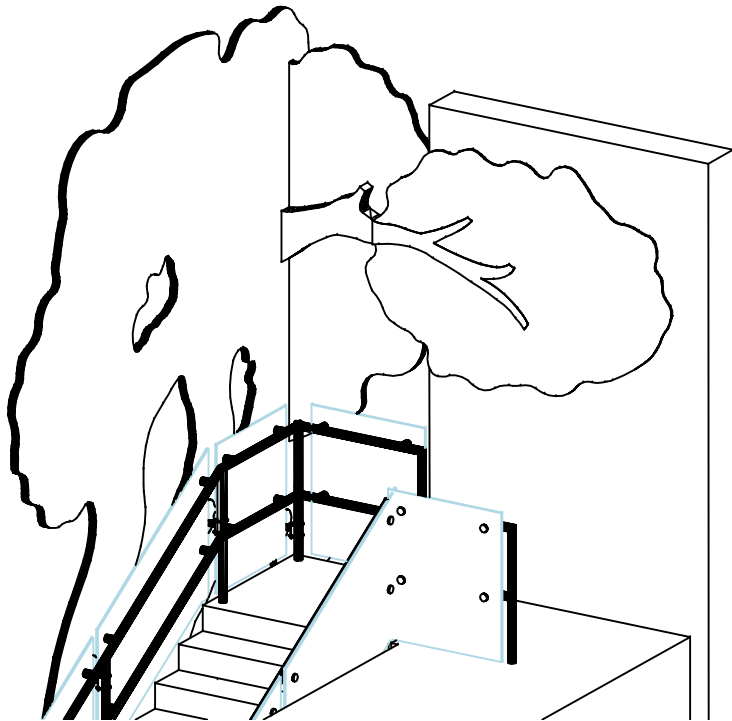
1 FRONT ISOMETRIC  
NOT TO SCALE



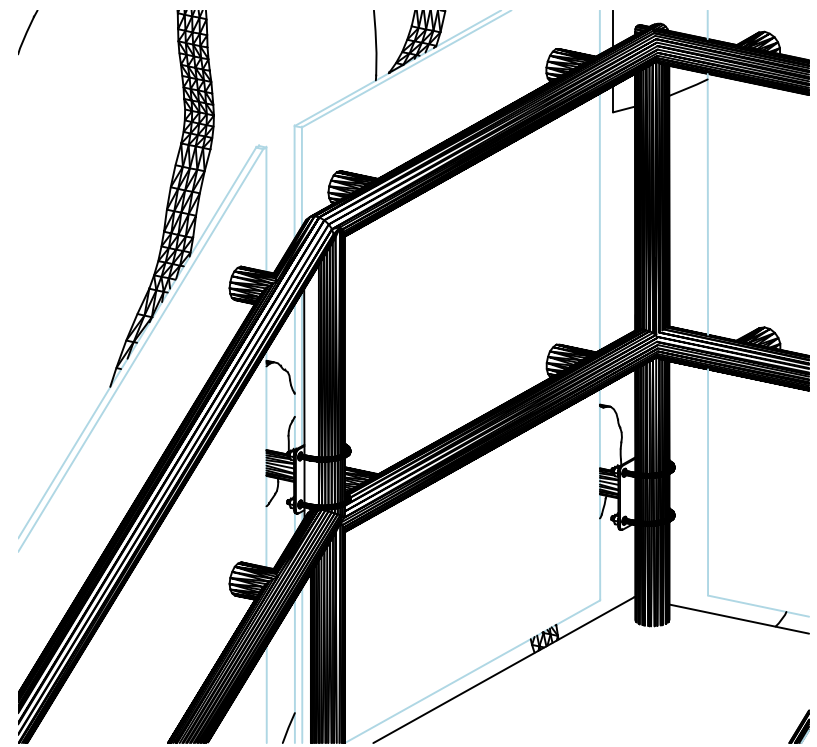
5 LEFT FRONT ISOMETRIC  
NOT TO SCALE



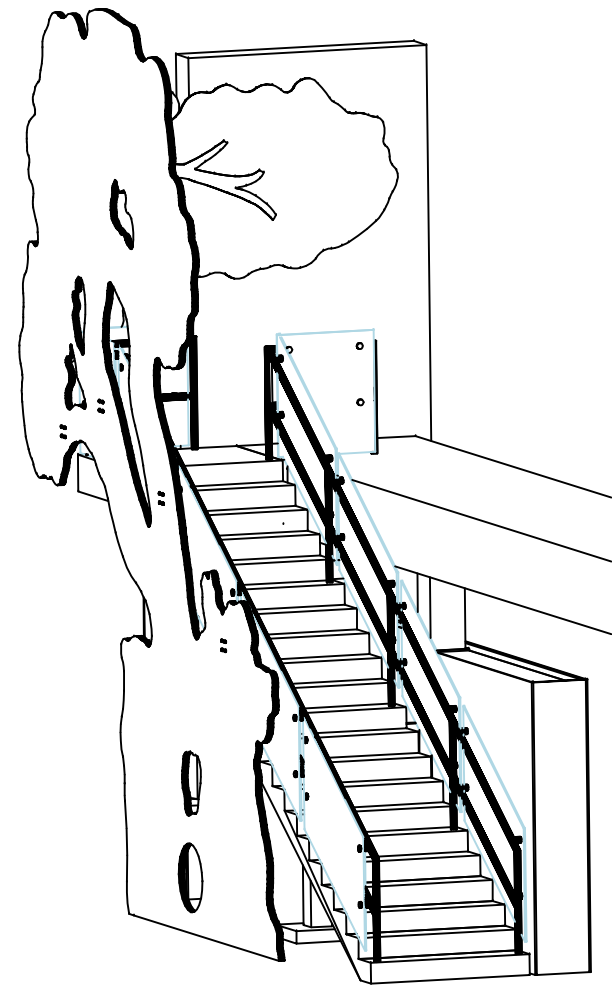
2 LEFT FRONT ISOMETRIC  
NOT TO SCALE



3 LANDING DETAIL  
NOT TO SCALE



6 BRACKET DETAIL  
NOT TO SCALE



4 RIGHT FRONT ISO  
NOT TO SCALE

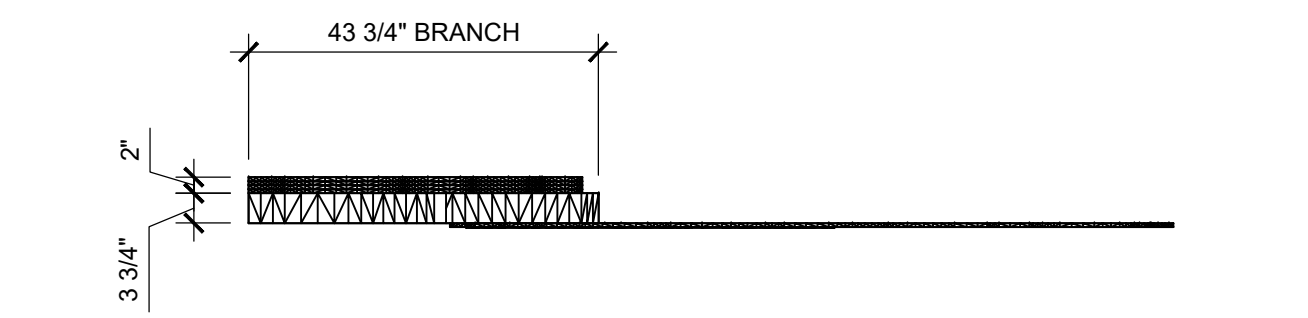
South Dakota Discovery Center
Soil Exhibits
Tree Mural
Isometric Views

Blot:	06/23/20
Des. By:	PQ
Dwnr. By:	GS
Rvsn #	0

Construction Drawings

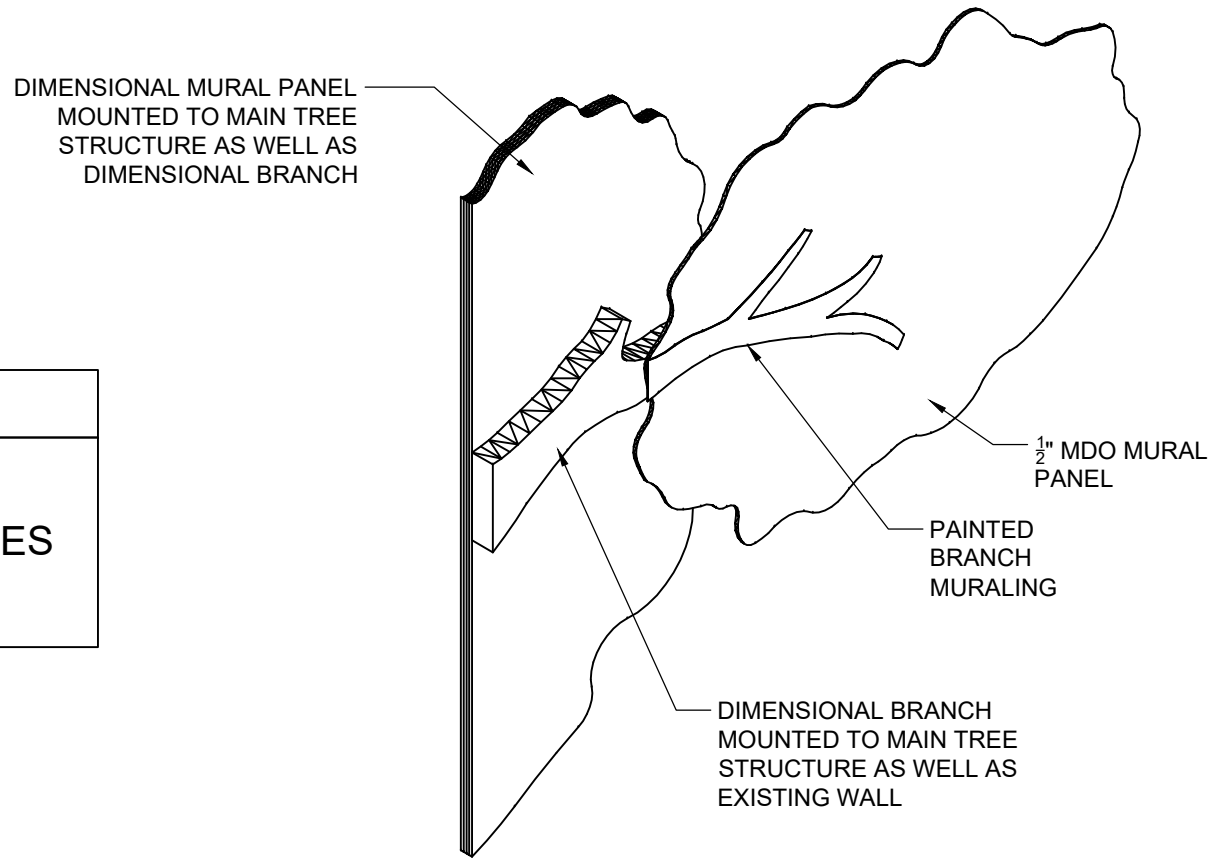
South Dakota Discovery Center	Blotter:	06/23/20
Soil Exhibits	Des. By:	PQ
Tree Mural- Branch	Dwnr. By:	GS
Elevations	Rvsn #	0

**EX**  
**C.02**

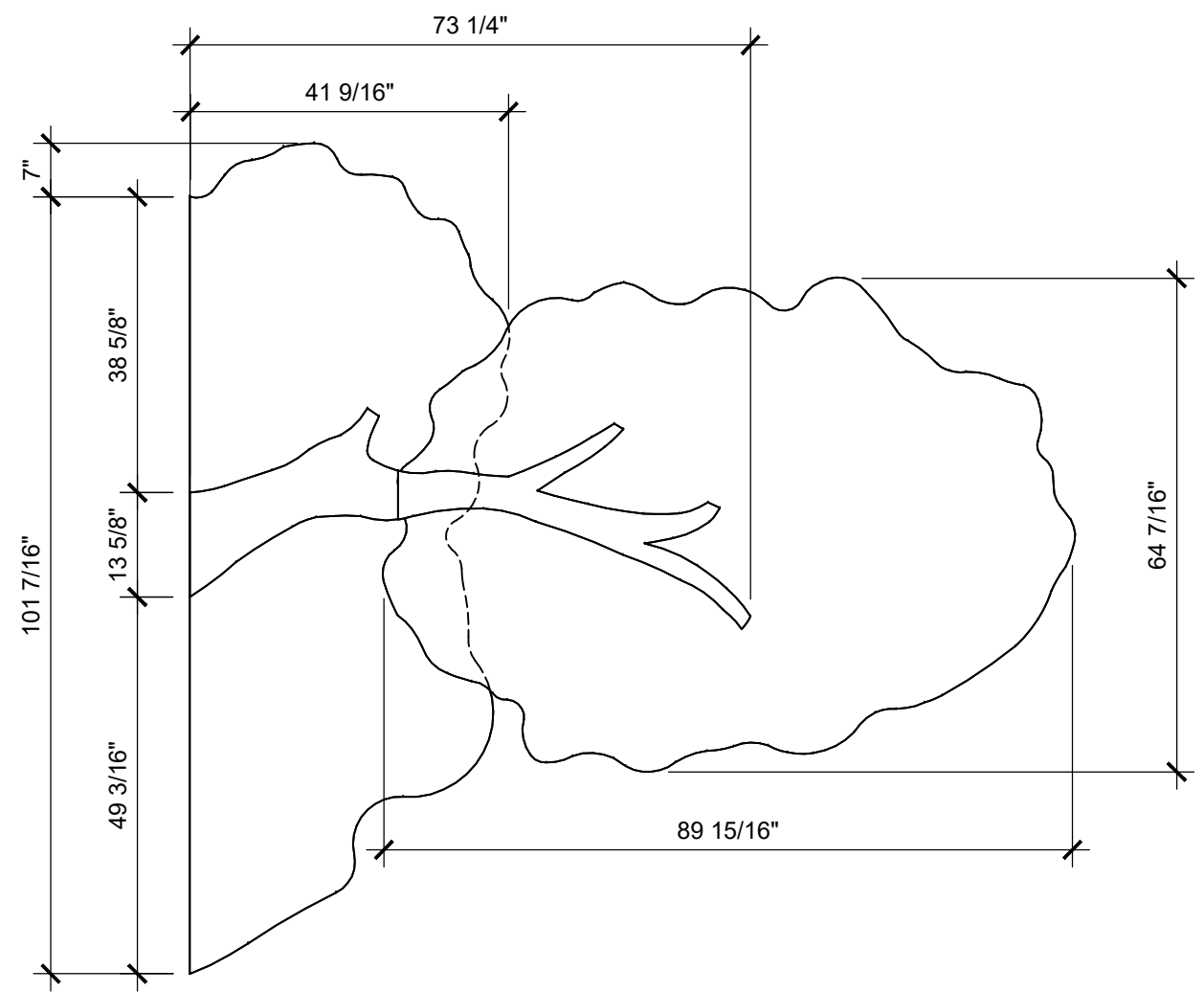


1 **TOP VIEW**  
 SCALE: 1/2"=1'-0"

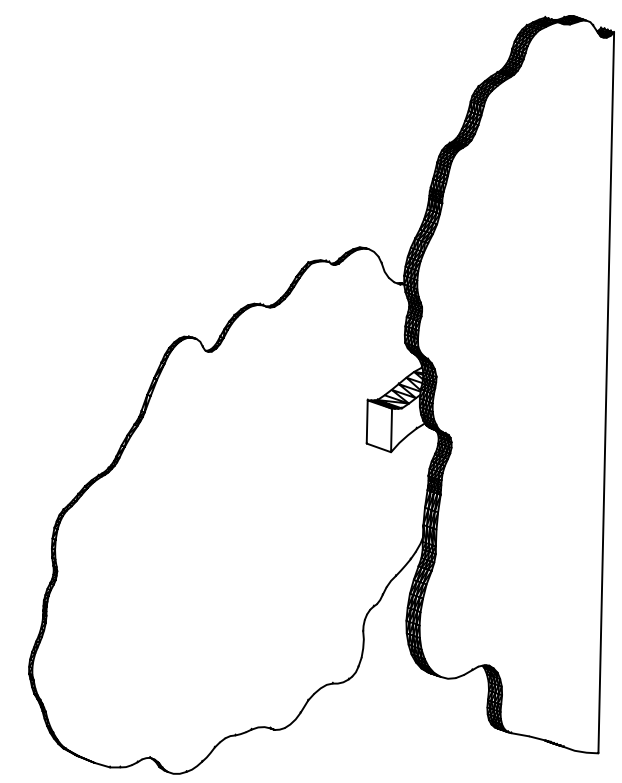
- NOTES:**
- MDO CONSTRUCTION
  - SOFTEN ALL EXPOSED EDGES
  - PAINT FINISH



4 **FRONT ISOMETRIC**  
 NOT TO SCALE



2 **FRONT ELEVATION**  
 SCALE: 1/2"=1'-0"



3 **REAR ISOMETRIC**  
 SCALE: 1/2"=1'-0"

## Construction Drawings

South Dakota Discovery Center  
Soil Exhibits  
Tree Mural Frame  
Elevations

Blotter:  
06/23/20

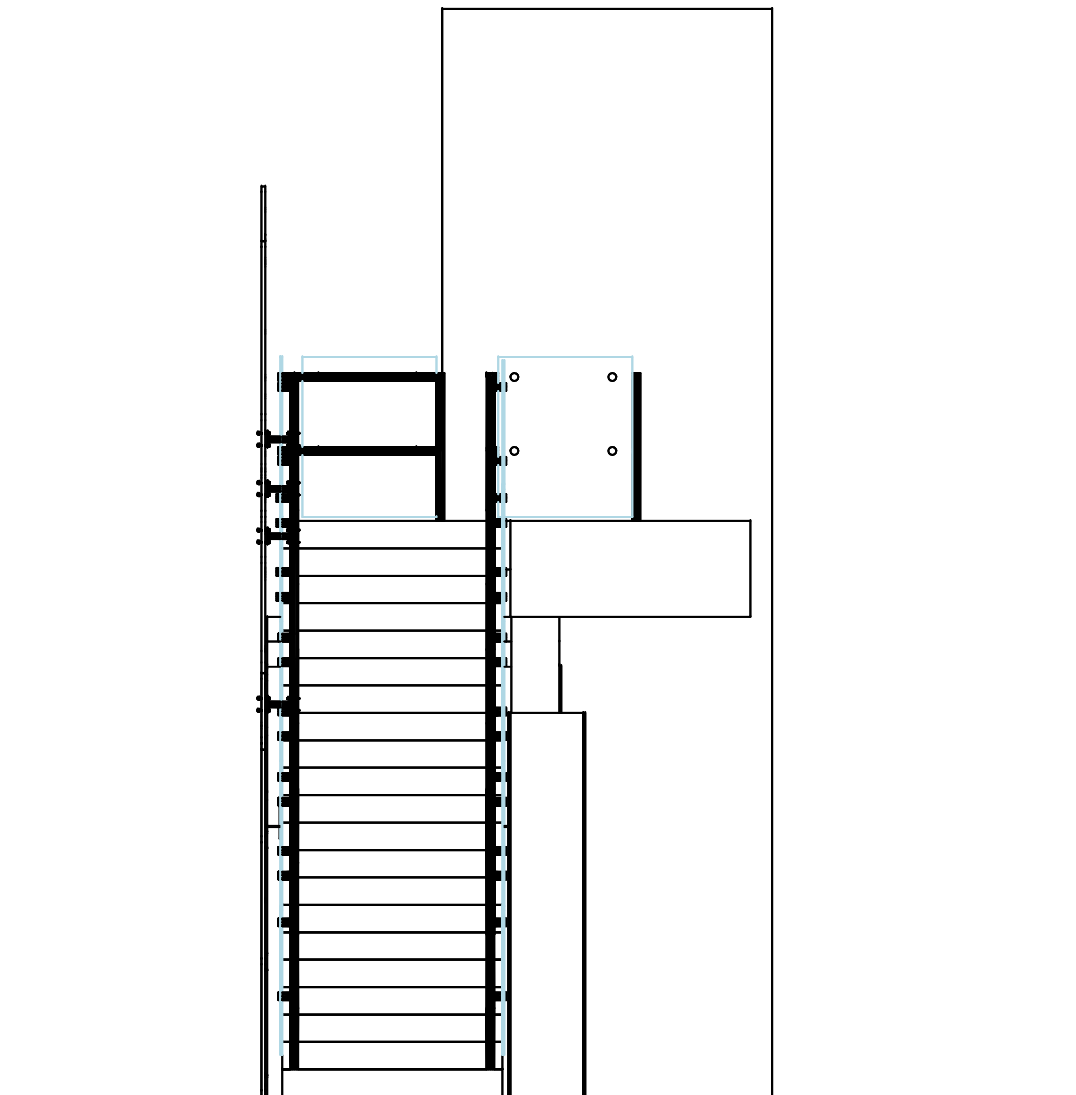
Des. By:  
PQ

Dwnr. By:  
GS

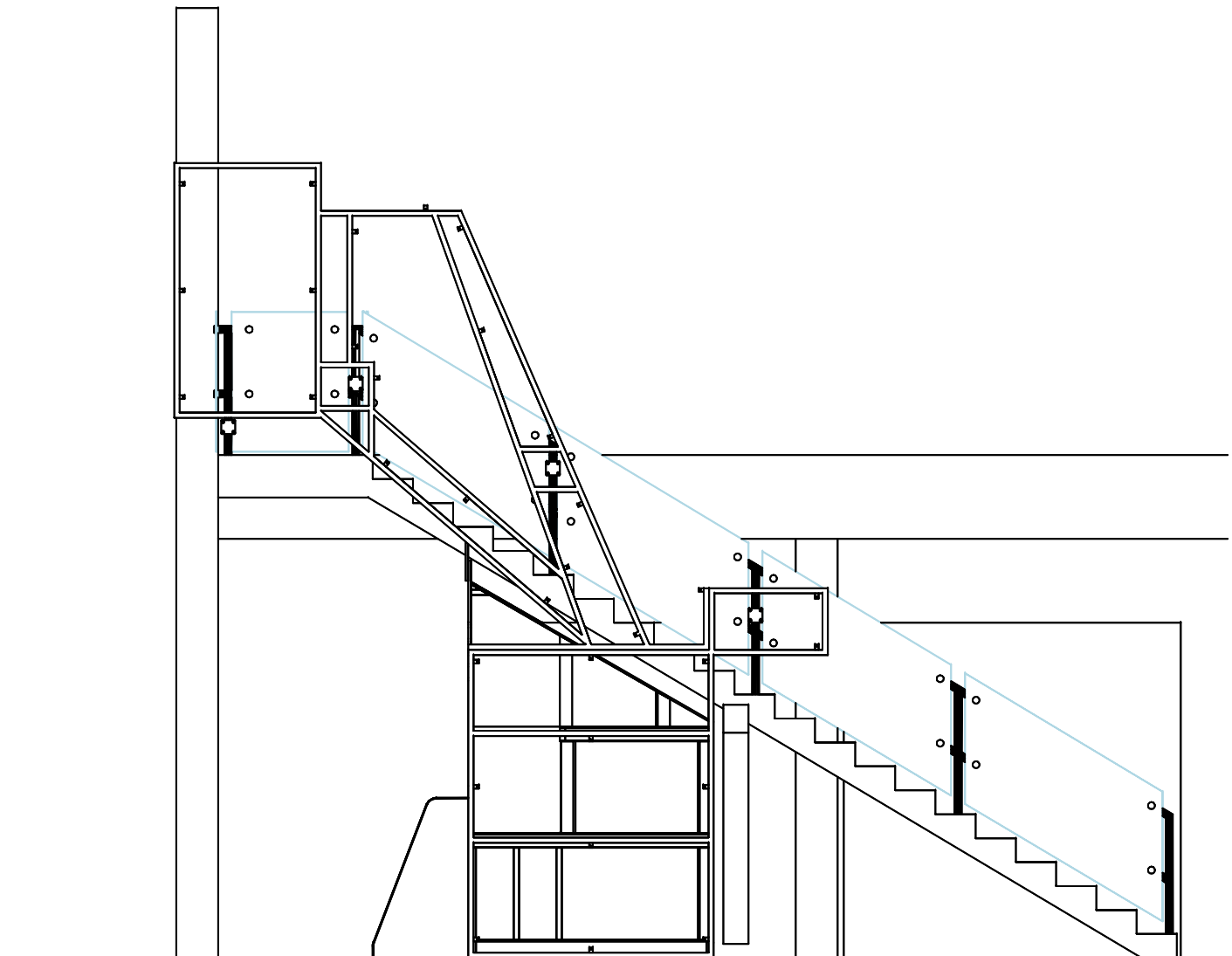
Rvsn #  
0

**EX**

**C.03**

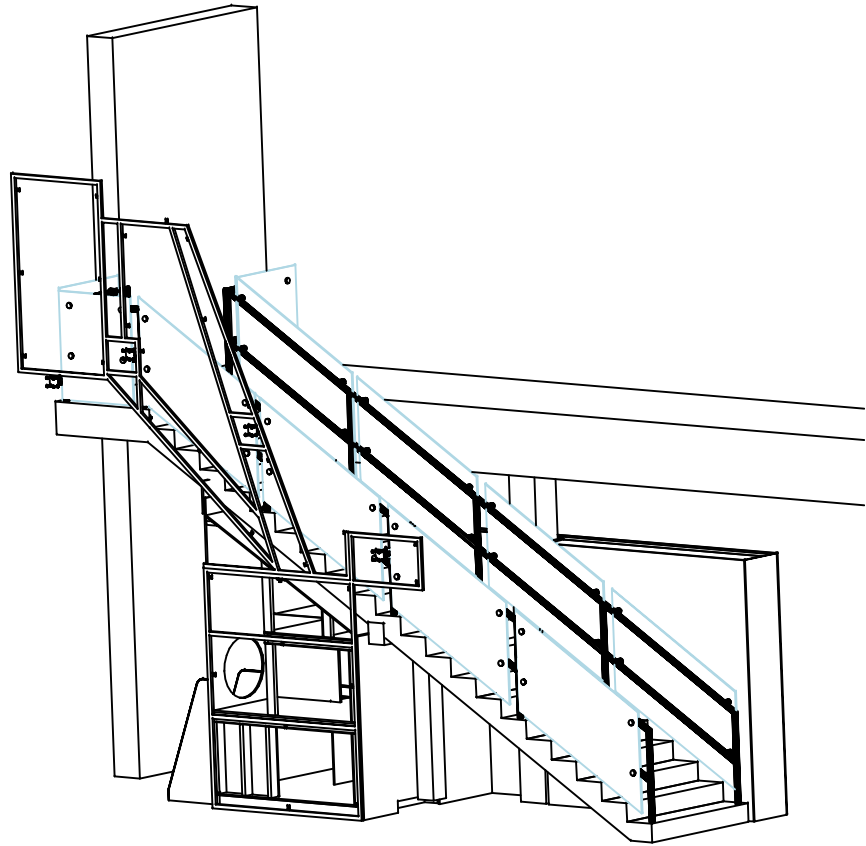


2 **SIDE ELEVATION**  
SCALE: 1/4"=1'-0"

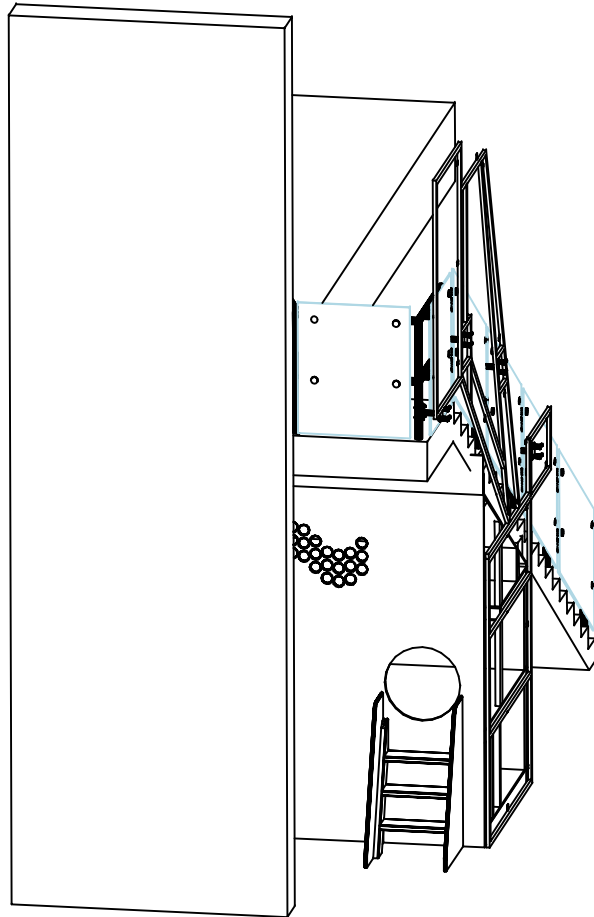


1 **FRONT ELEVATION**  
SCALE: 1/4"=1'-0"

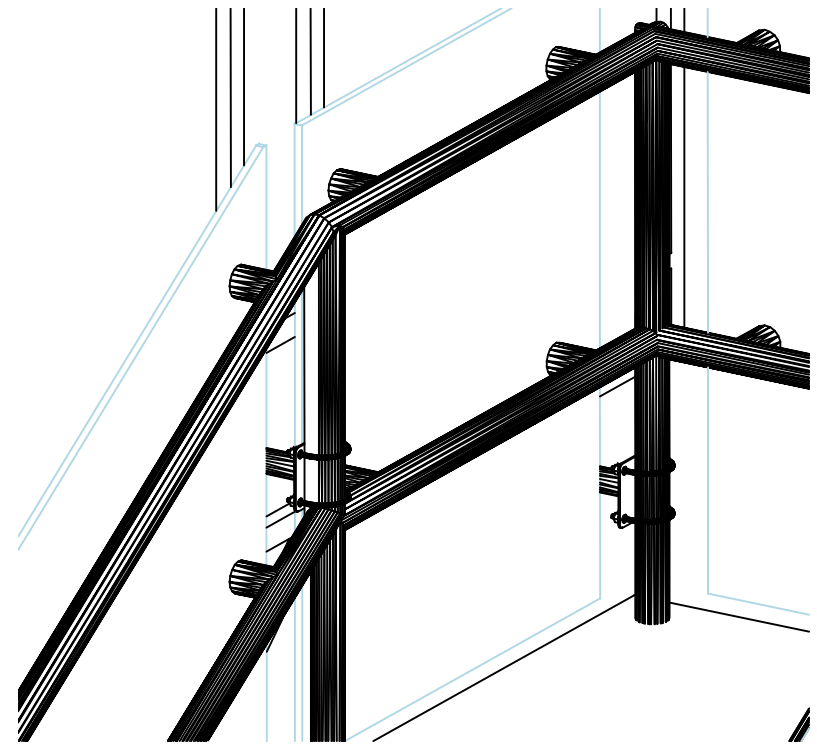




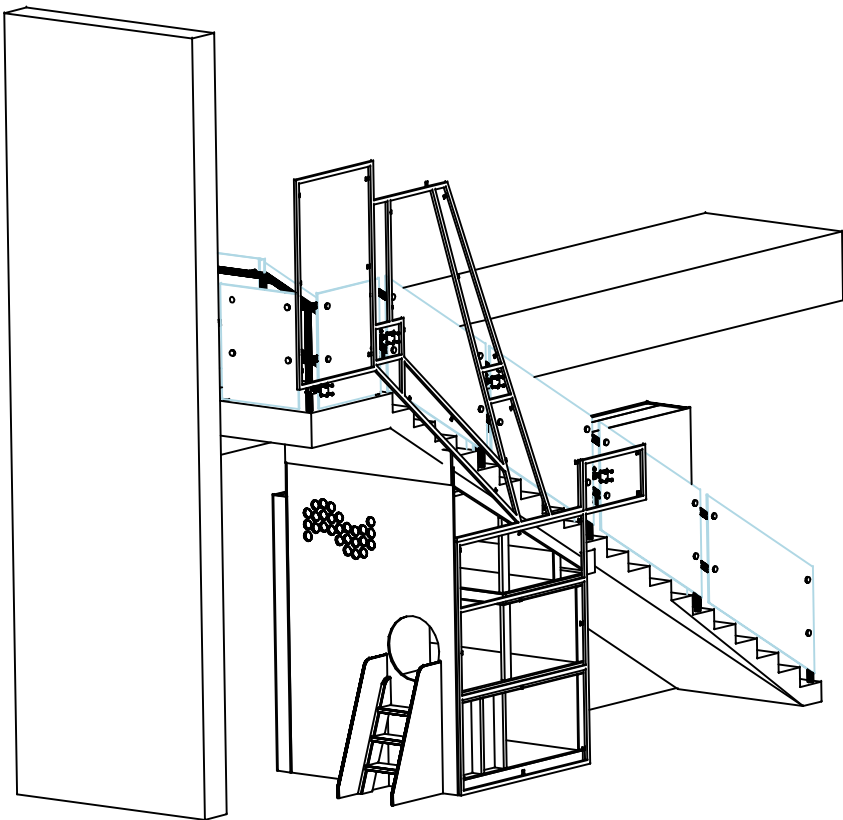
1 FRONT ISOMETRIC  
NOT TO SCALE



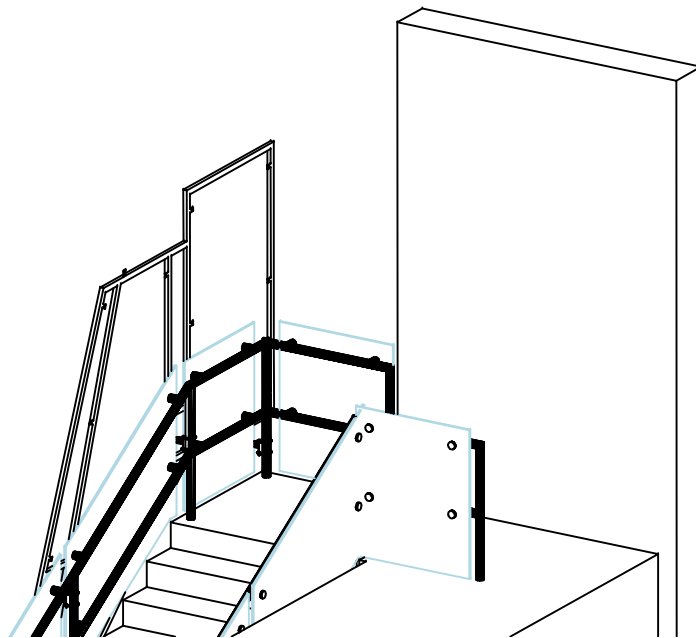
5 LEFT FRONT ISOMETRIC  
NOT TO SCALE



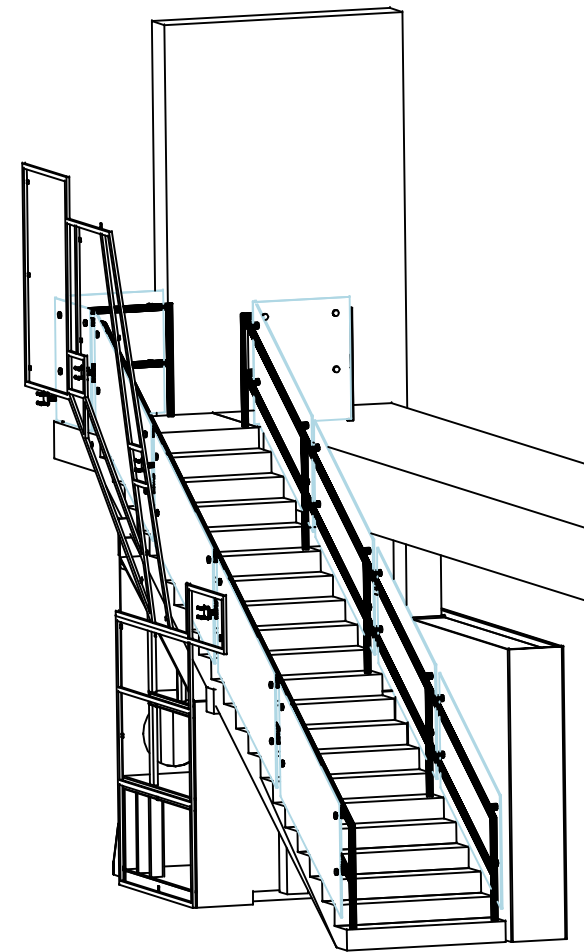
6 BRACKET DETAIL  
NOT TO SCALE



2 LEFT FRONT ISOMETRIC  
NOT TO SCALE



3 LANDING DETAIL  
NOT TO SCALE



4 RIGHT FRONT ISO  
NOT TO SCALE

Construction Drawings

South Dakota Discovery Center
Soil Exhibits
Tree Mural Frame
Isometric Views

Date:	06/23/20
Des. By:	PQ
Dwnr. By:	GS
Rvsn #	0

**EX**  
**C.04**



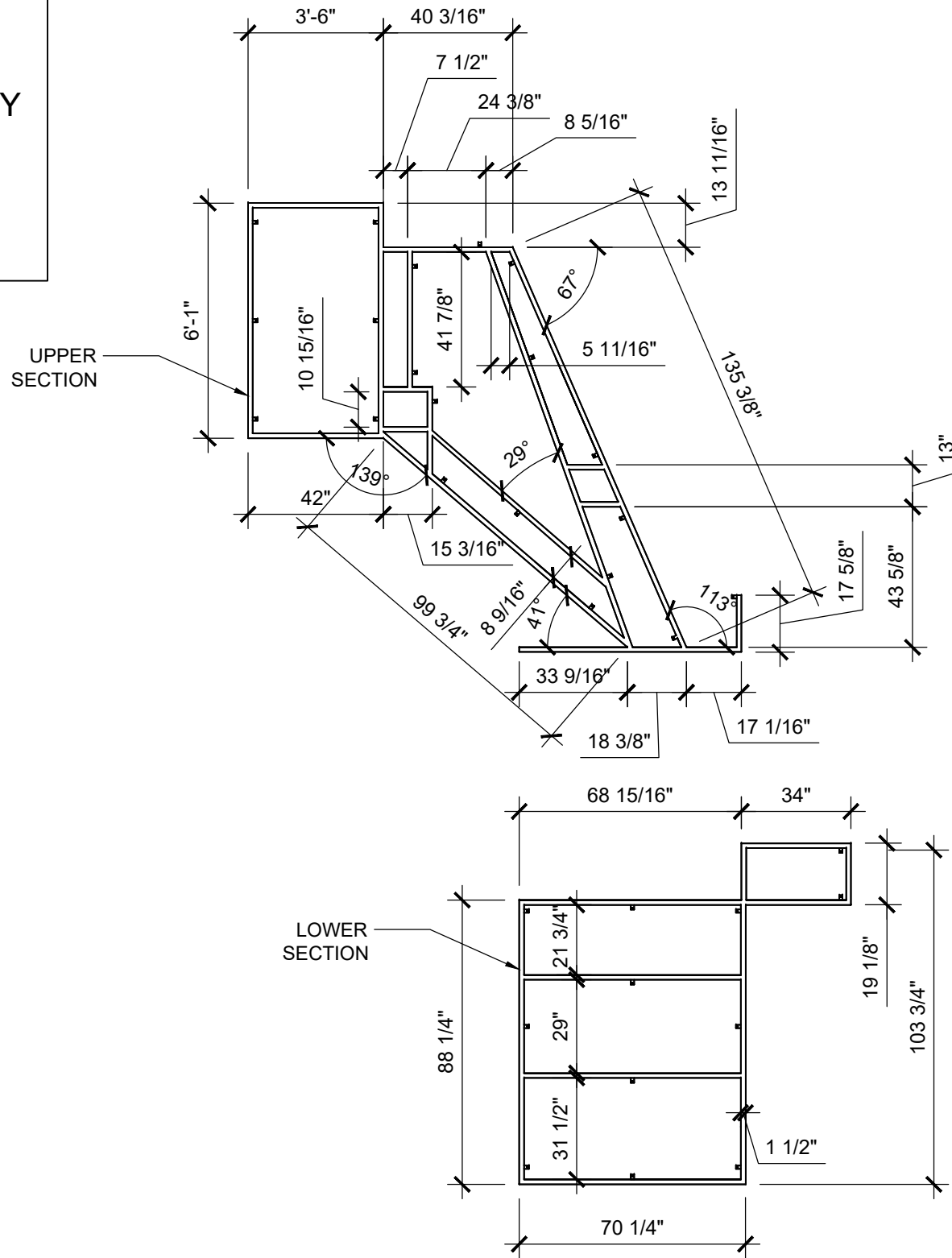
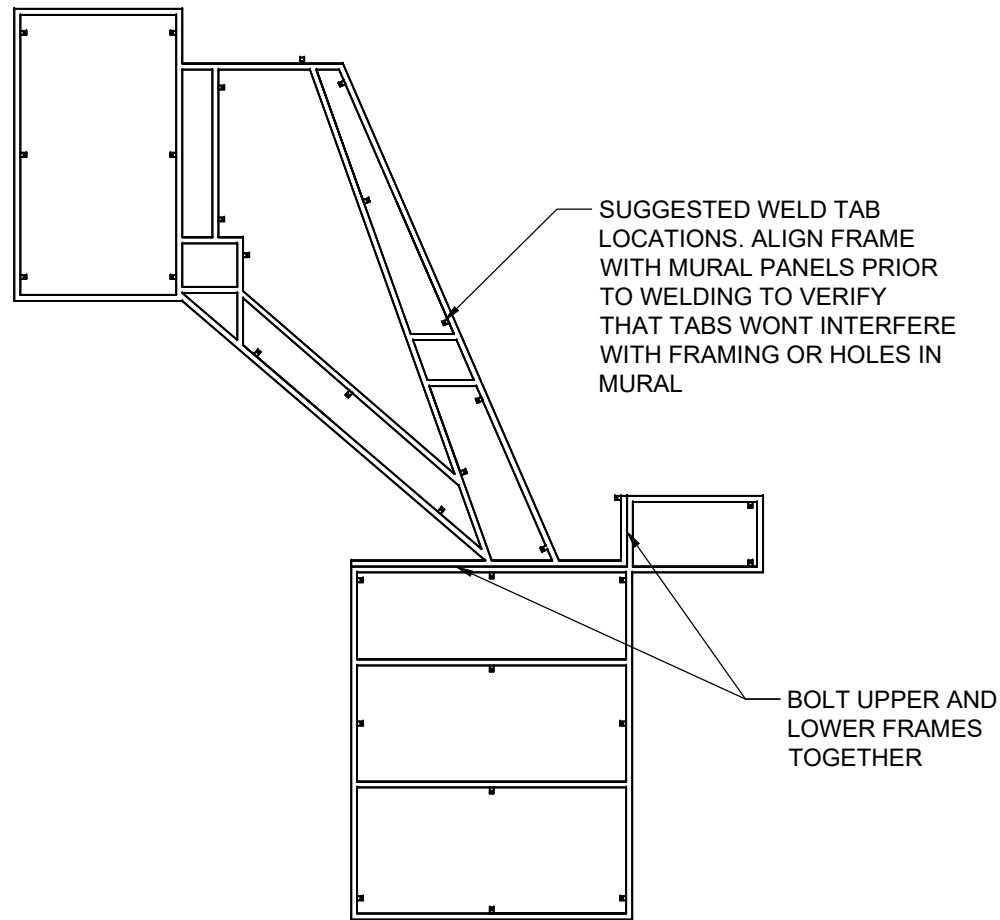
Construction Drawings

South Dakota Discovery Center	Date:	06/23/20
Soil Exhibits	Des. By:	PQ
Tree Mural Frame	Dwnr. By:	GS
Metal Drawing	Rvsn #	0

**EX**  
**C.05**

NOTES:

- 1" X 1 1/2" RECTANGULAR COLD ROLLED STEEL TUBE FRAME
- WELDED CONSTRUCTION
- ADD 1" X 1 1/2" X 1/8" STEEL WELD TABS AS DEEMED NECESSARY TO CONNECT FRAME TO 1/2" MDO TREE MURAL
- GRIND WELDS FLUSH ON FRONT & REAR FACES
- PAINT FINISH



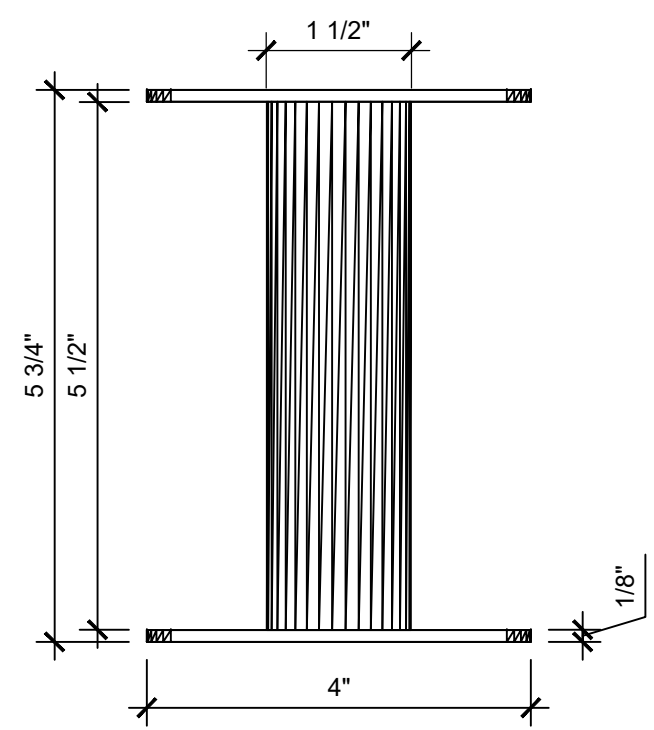
1 FRONT ELEVATION  
 SCALE: 1/4"=1'-0"

2 FRONT ELEVATION  
 SCALE: 1/4"=1'-0"

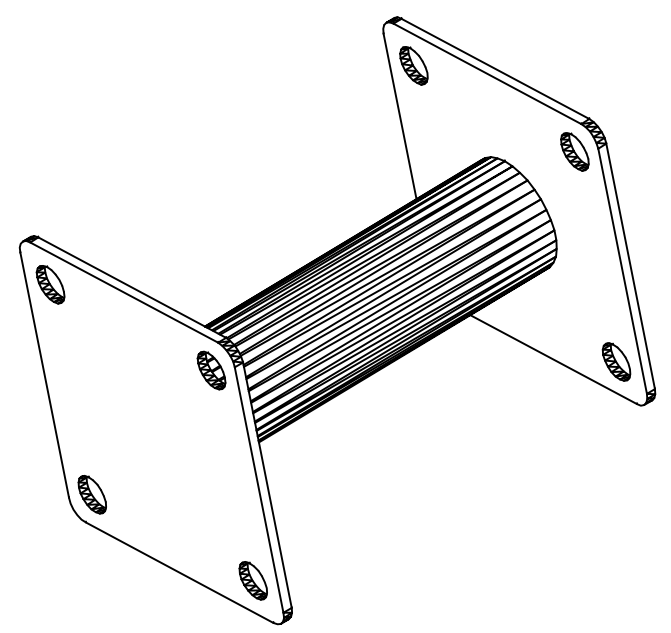
Construction Drawings

South Dakota Discovery Center	Des. By:	06/23/20
Soil Exhibits	Des. By:	PQ
Mounting Bracket	Dwn. By:	GS
Metal Drawing	Rvsn #	0

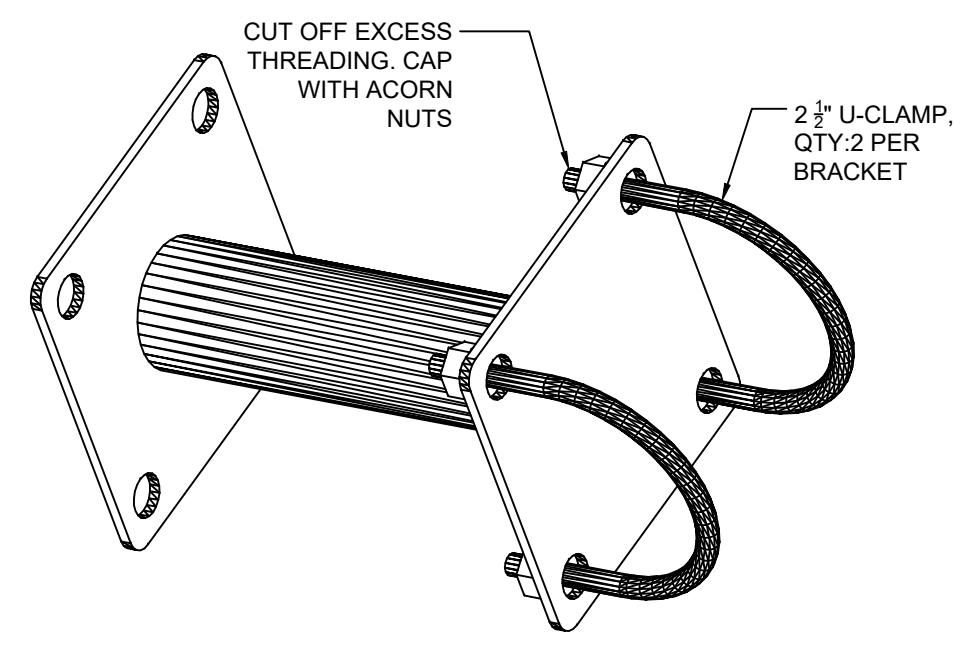
**EX**  
**C.06**



**1 TOP VIEW- QTY:4**  
SCALE: 6"=1'-0"



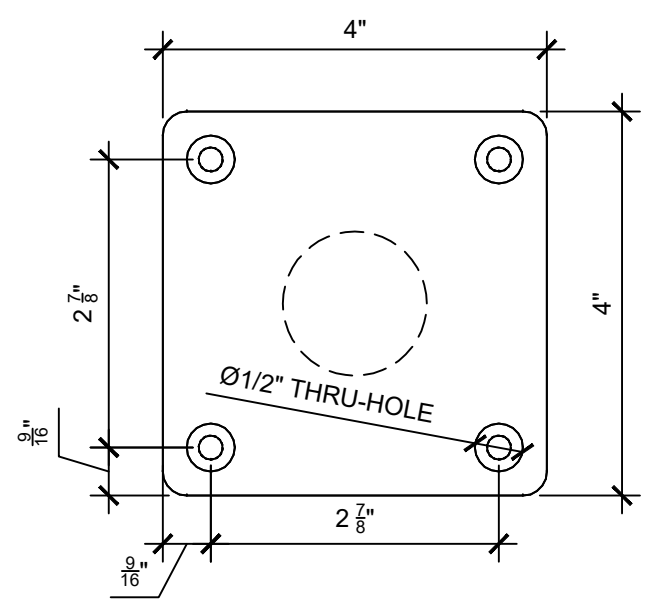
**4 FRONT ISOMETRIC**  
NOT TO SCALE



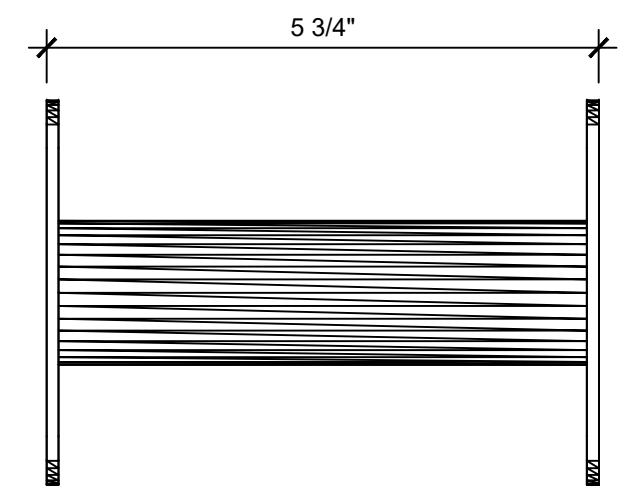
**5 REAR ISOMETRIC w/ U-CLAMP**  
NOT TO SCALE

**NOTES:**

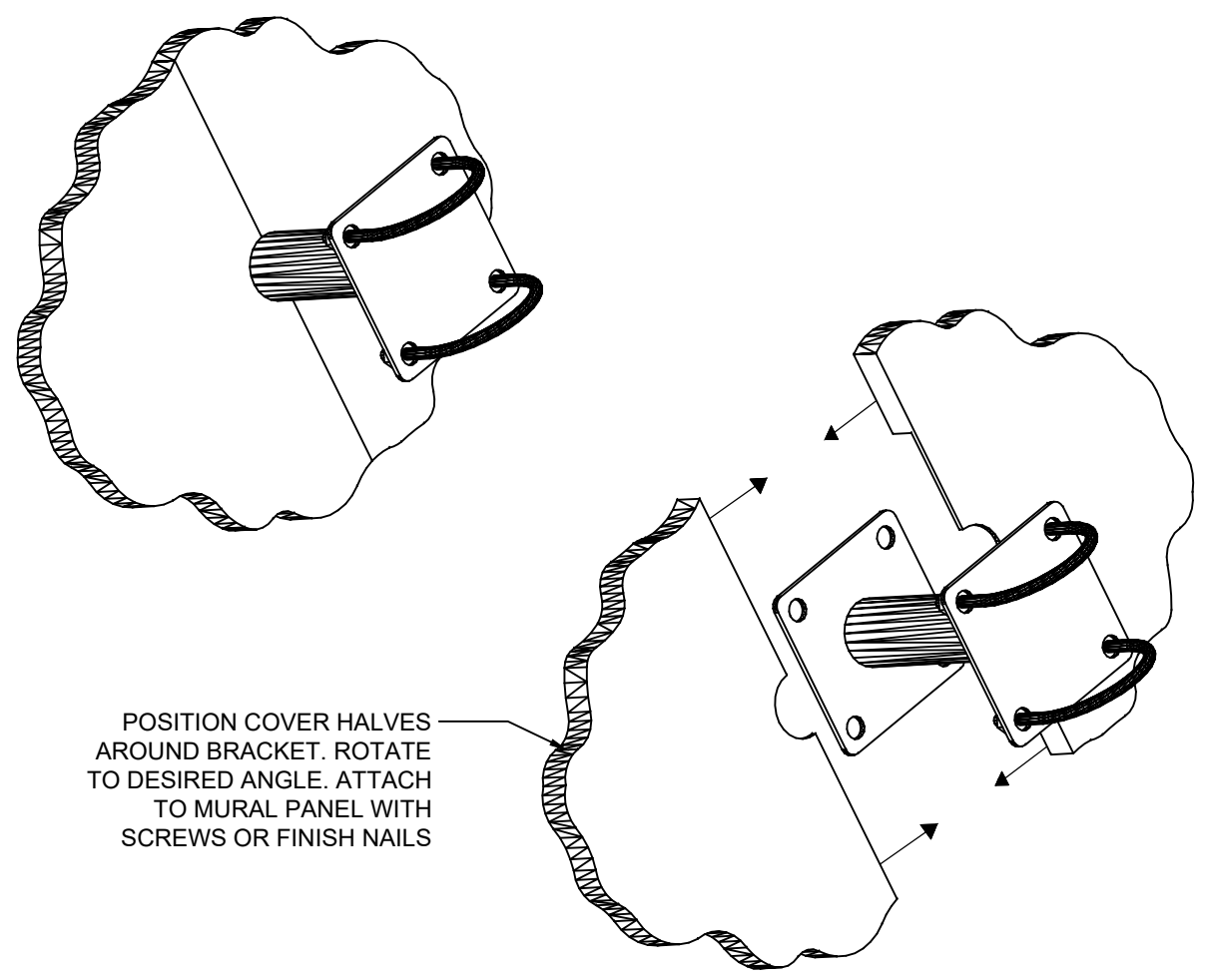
- WELDED COLD ROLLED STEEL CONSTRUCTION
- SOFTEN ALL SHARP EDGES
- PAINT FINISH



**2 FRONT ELEVATION**  
SCALE: 6"=1'-0"



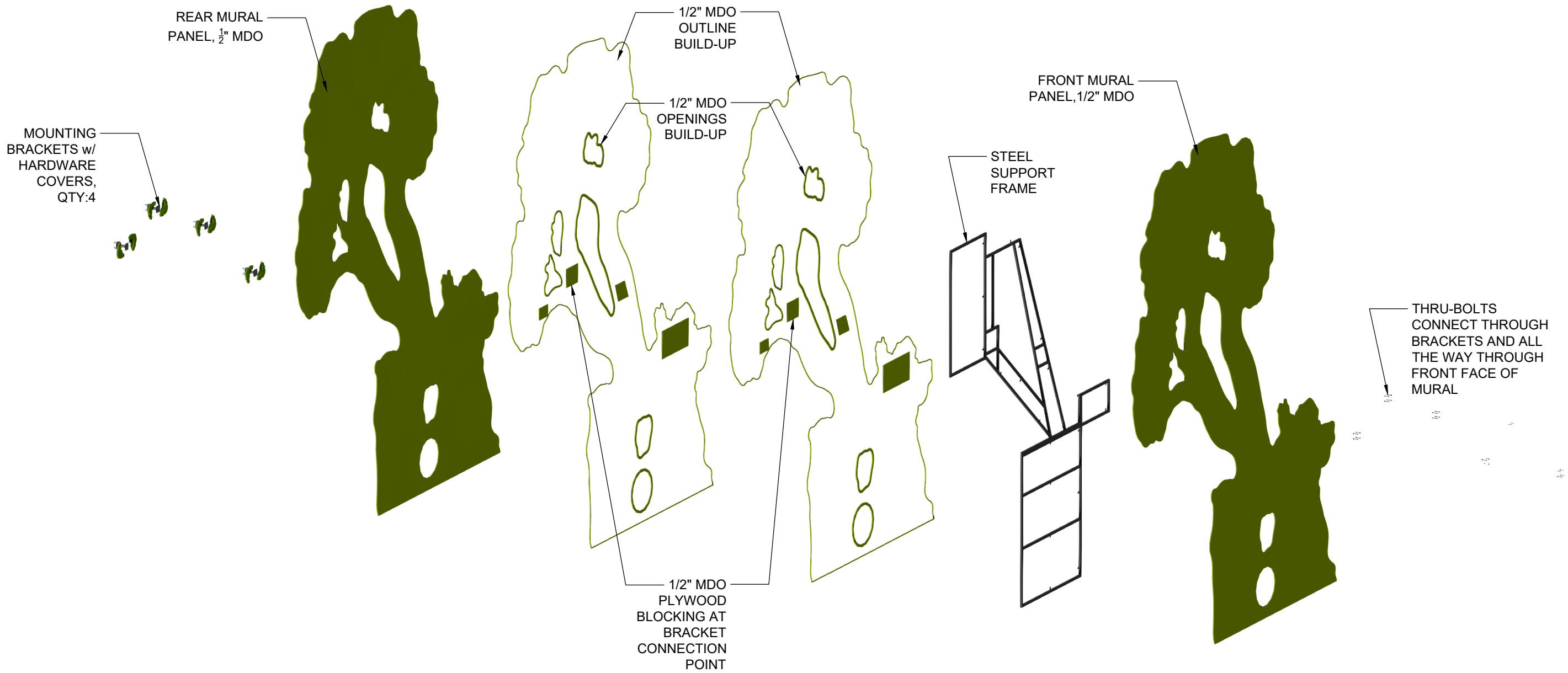
**3 SIDE ELEVATION**  
SCALE: 6"=1'-0"



**4 BRACKET COVER DETAIL**  
NOT TO SCALE

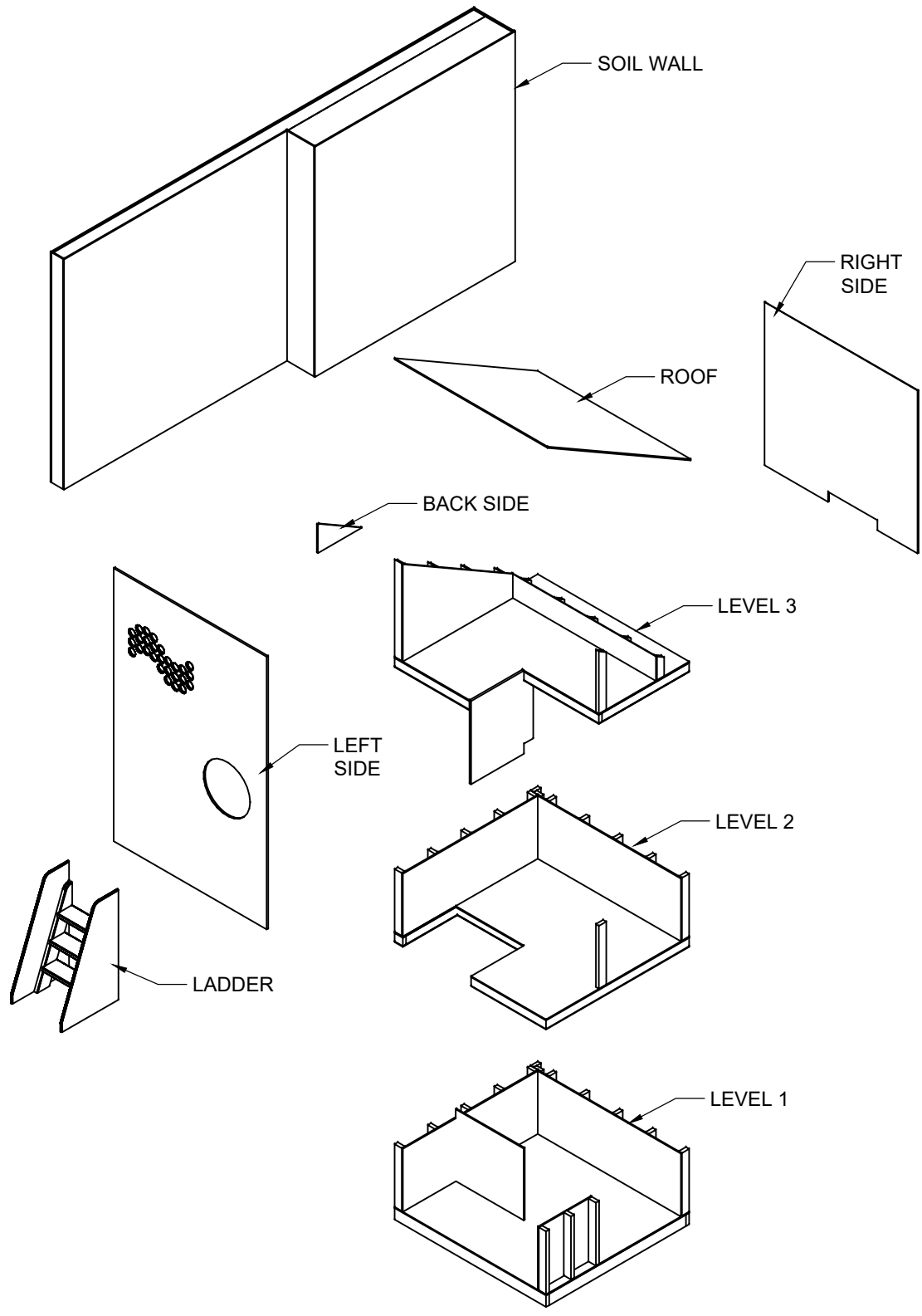
## Construction Drawings

South Dakota Discovery Center	Date:	06/23/20
Soil Exhibits	Des. By:	PQ
Tree Mural	Dwnl. By:	GS
Exploded Isometric View	Rvsn #	0

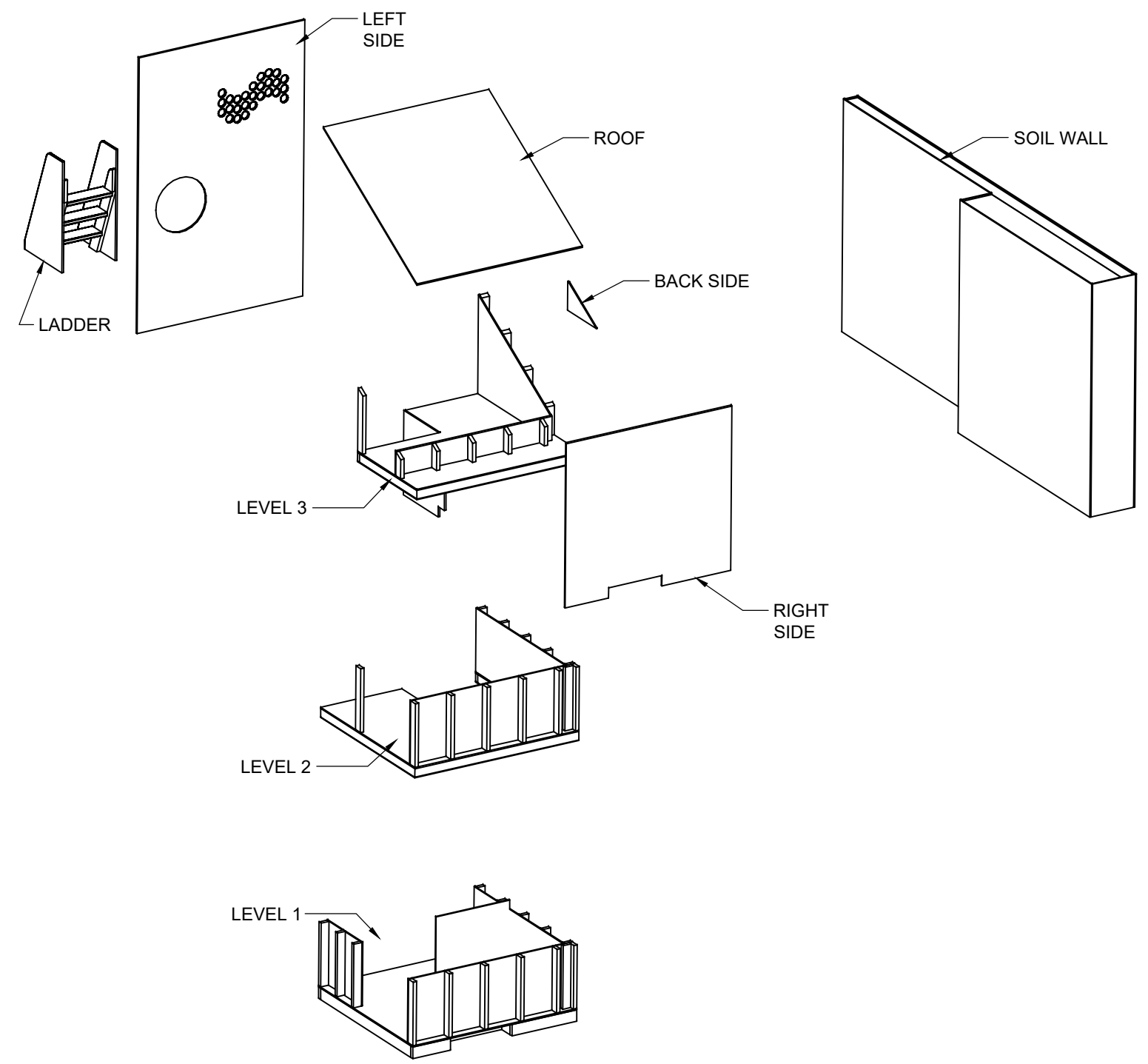


1 EXPLODED ISOMETRIC  
NOT TO SCALE

**EX**  
**C.07**



1 LEFT FRONT ISOMETRIC  
NOT TO SCALE



2 RIGHT FRONT ISOMETRIC  
NOT TO SCALE

Construction Drawings

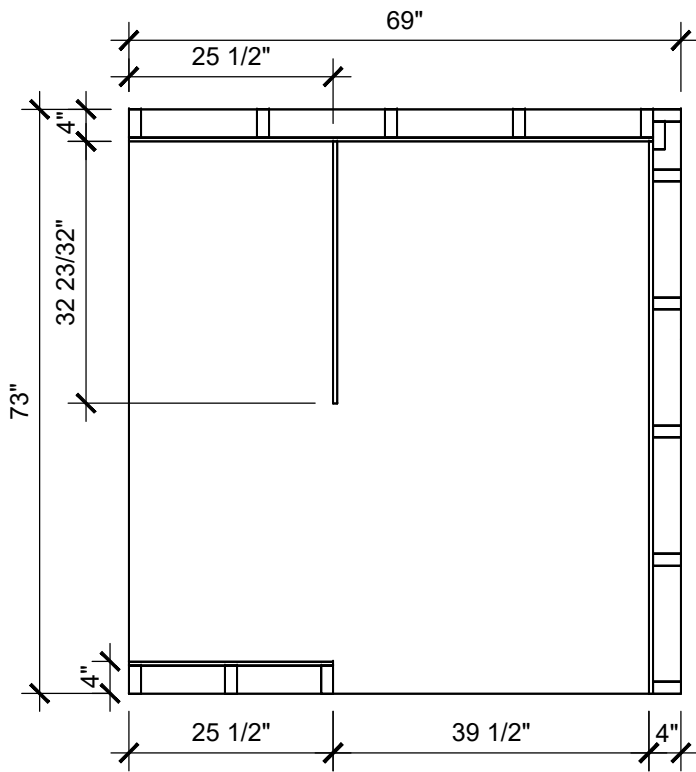
South Dakota Discovery Center	Date:
Soil Exhibits	06/23/20
Crawl Through	Des. By: PQ
Exploded Isometric Views	Dwnt. By: GS
	Rvsn # 0

Construction Drawings

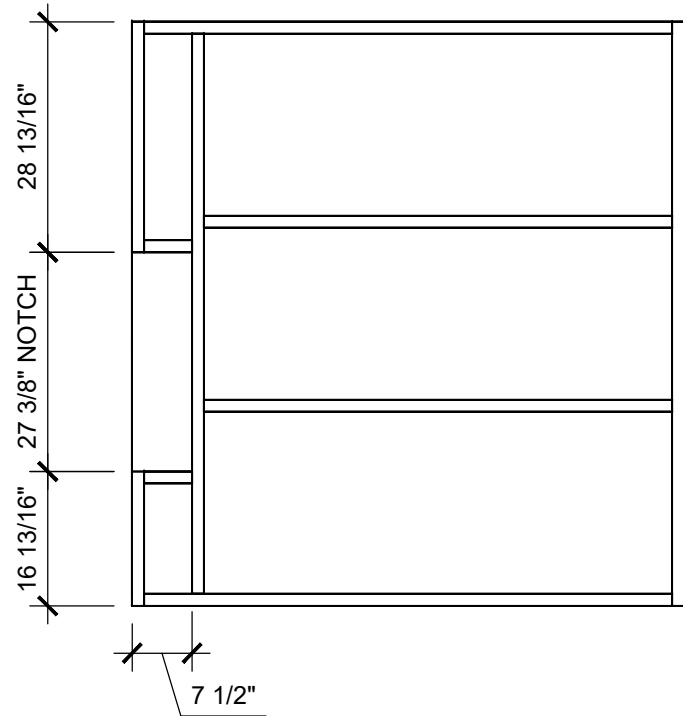
South Dakota Discovery Center  
 Soil Exhibits  
 Crawl Through- Levels  
 Level 1

Blotter: 06/23/20  
 Des. By: PQ  
 Dwnr. By: GS  
 Rvsn # 0

**EX**  
**D.02**



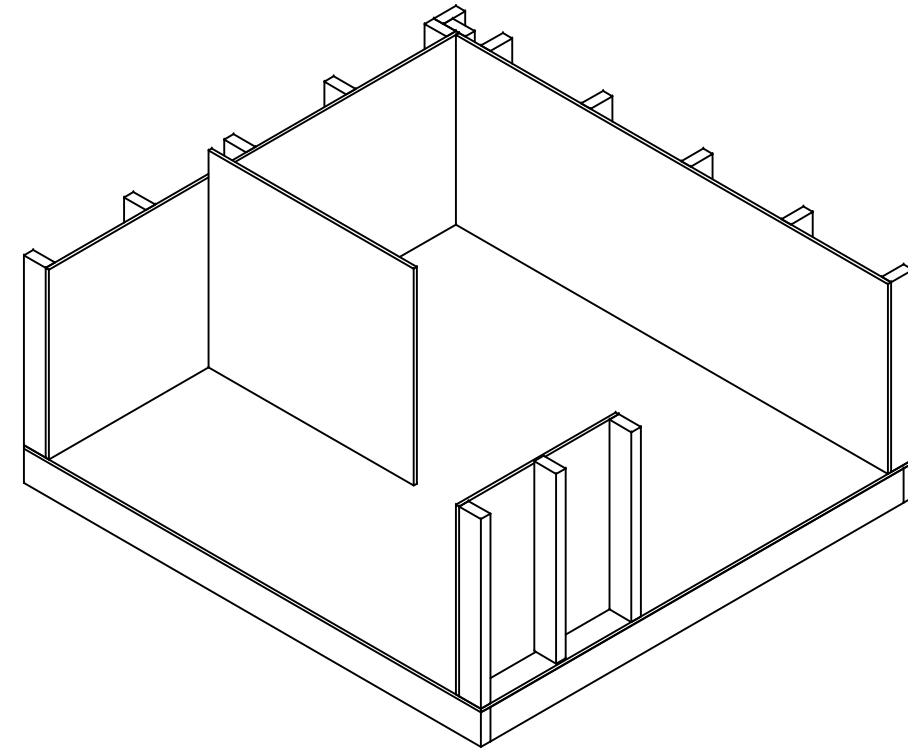
1 **TOP VIEW**  
 SCALE: 1/2"=1'-0"



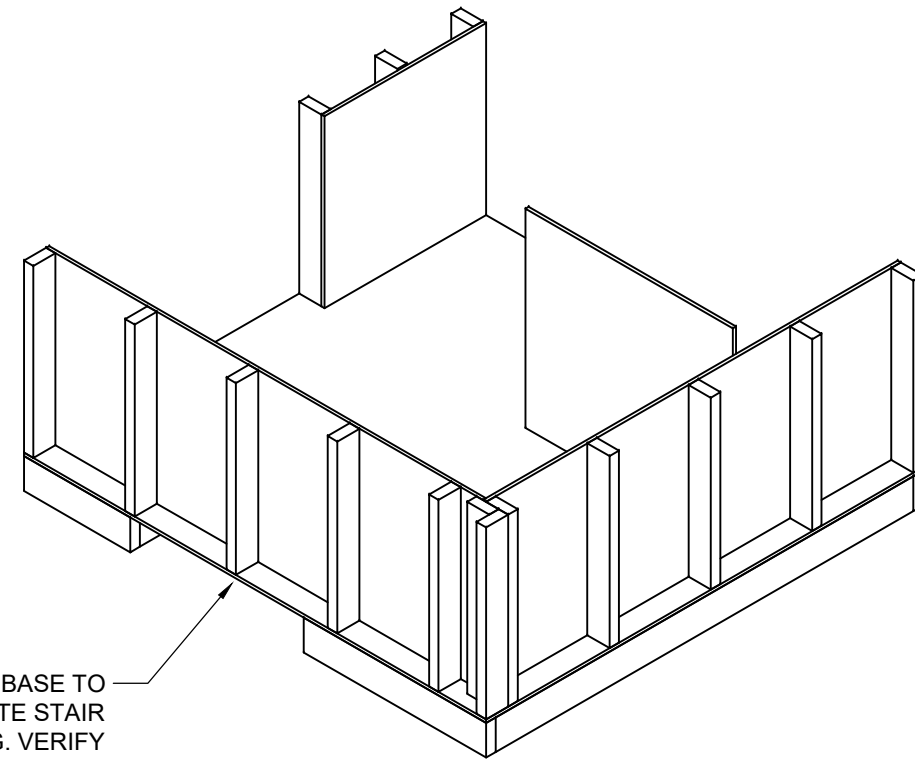
4 **BOTTOM VIEW**  
 SCALE: 1/2"=1'-0"

**NOTES:**

- 2X4 & MDO CONSTRUCTION
- SOFTEN ALL EXPOSED EDGES
- PAINT FINISH ON WALLS & CEILINGS
- CARPET OR RUBBER FLOORING FINISH ON DECKS

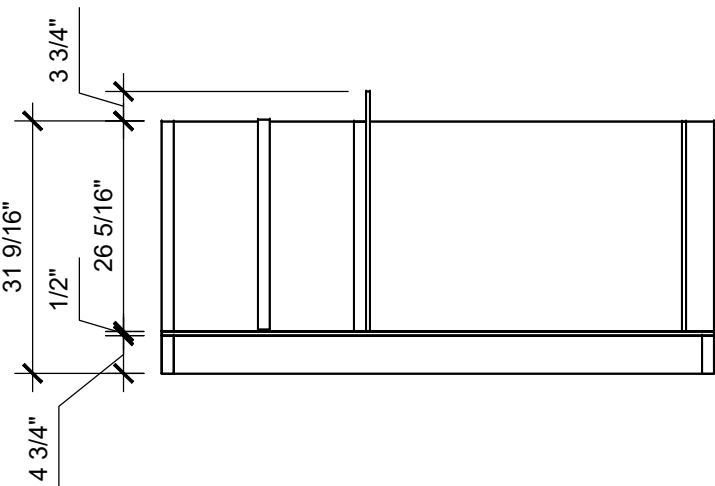


5 **LEFT FRONT ISOMETRIC**  
 NOT TO SCALE

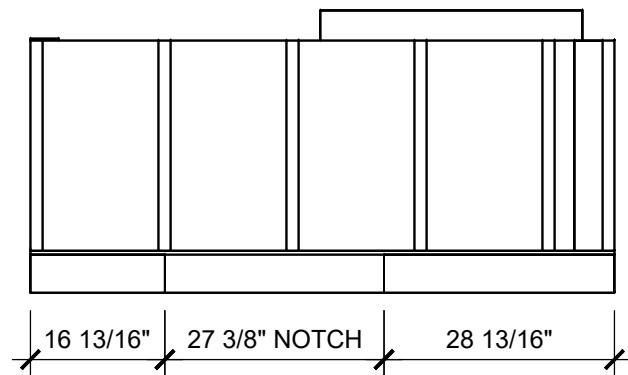


NOTCH IN BASE TO ACCOMMODATE STAIR COLUMN FOOTING. VERIFY FOOTING LOCATION PRIOR TO FINAL CONSTRUCTION

6 **RIGHT FRONT ISOMETRIC**  
 NOT TO SCALE



2 **FRONT ELEVATION**  
 SCALE: 1/2"=1'-0"



3 **RIGHT ELEVATION**  
 SCALE: 1/2"=1'-0"

Construction Drawings

South Dakota Discovery Center

Soil Exhibits

Crawl Through- Levels

Level 2

Blotter:  
06/23/20

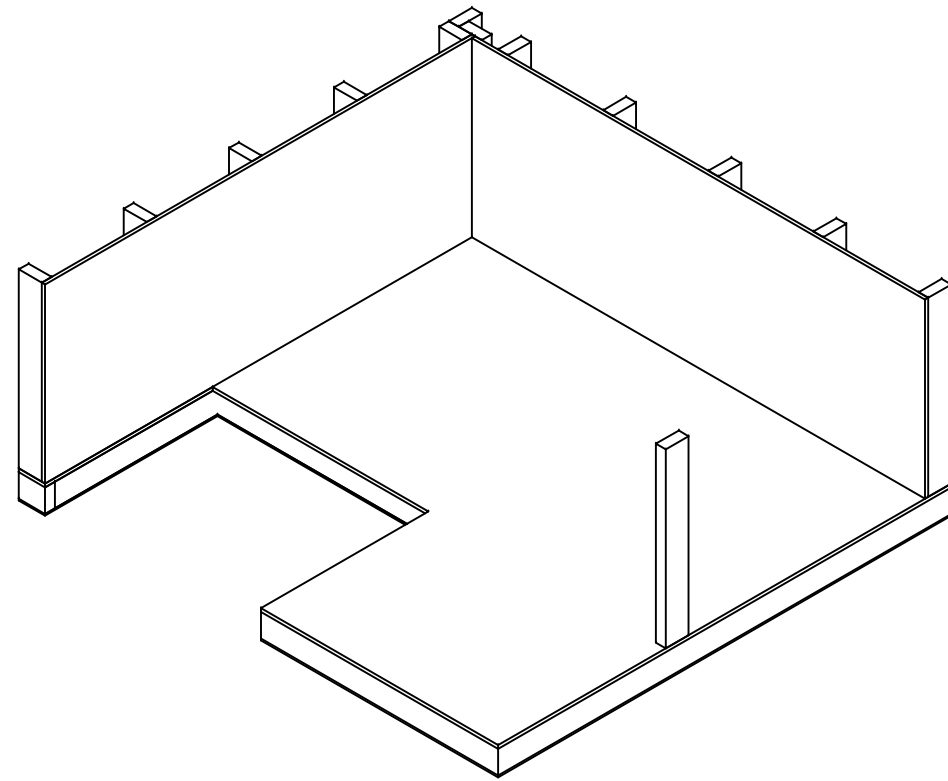
Des. By:  
PQ

Dwnr. By:  
GS

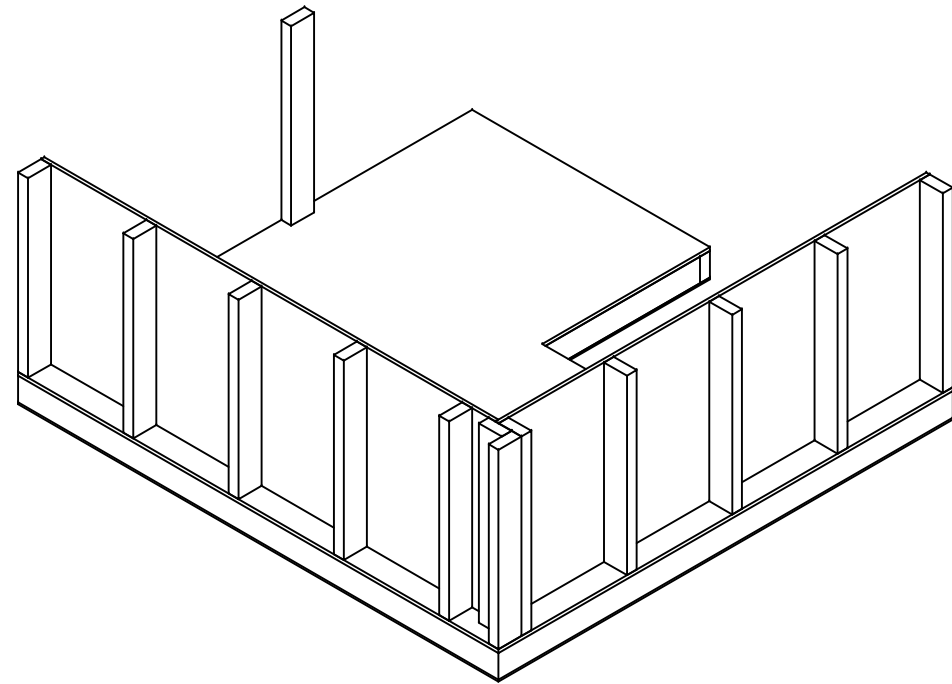
Rvsn #  
0

**EX**

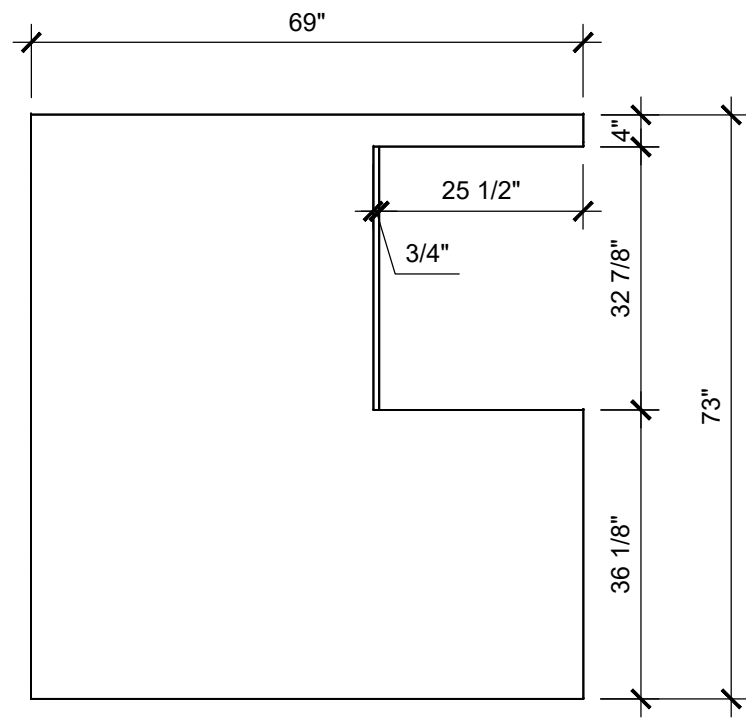
**D.03**



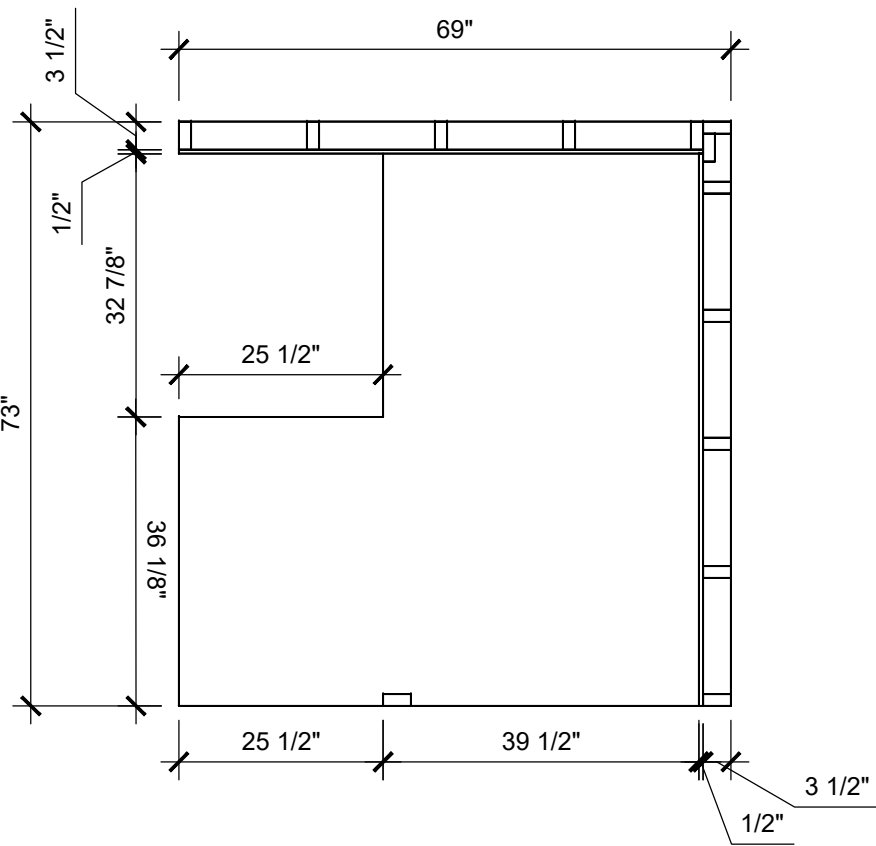
5 LEFT FRONT ISOMETRIC  
NOT TO SCALE



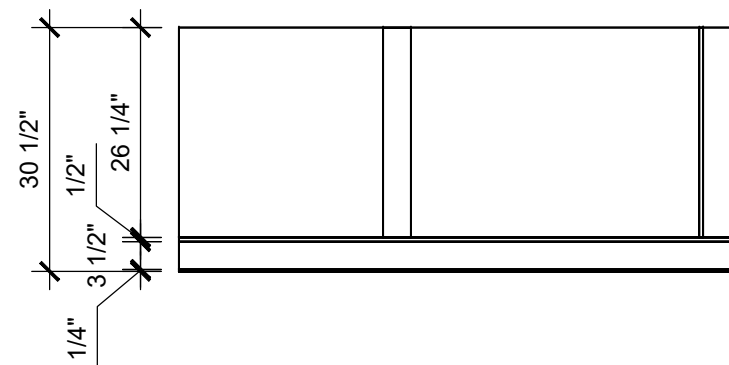
6 RIGHT FRONT ISOMETRIC  
NOT TO SCALE



4 BOTTOM VIEW  
SCALE: 1/2"=1'-0"



1 TOP VIEW  
SCALE: 1/2"=1'-0"



2 FRONT ELEVATION  
SCALE: 1/2"=1'-0"



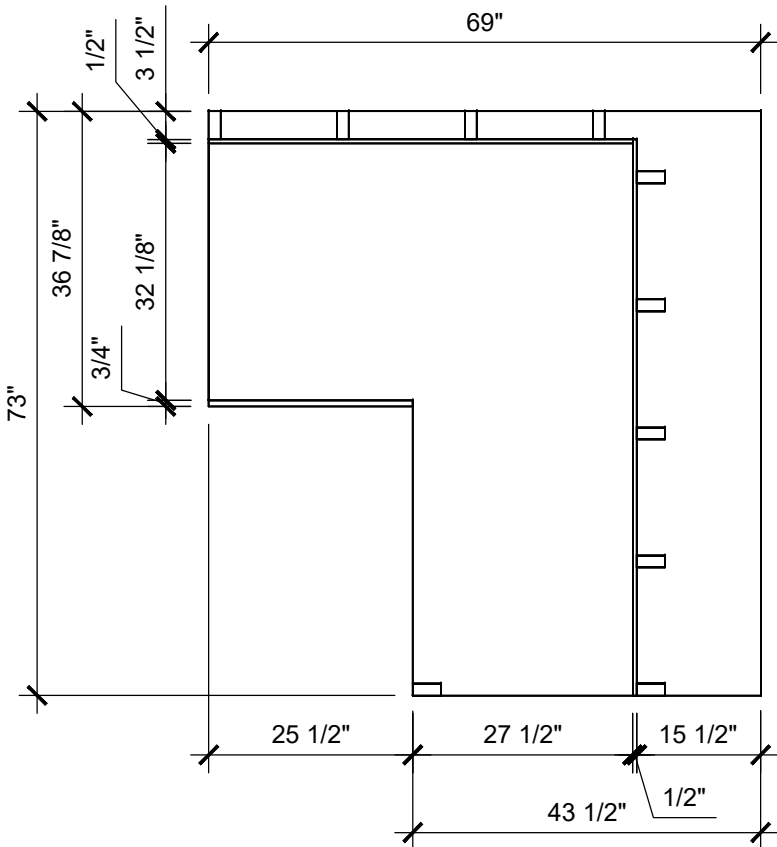
Construction Drawings

South Dakota Discovery Center  
 Soil Exhibits  
 Crawl Through - Levels  
 Level 3

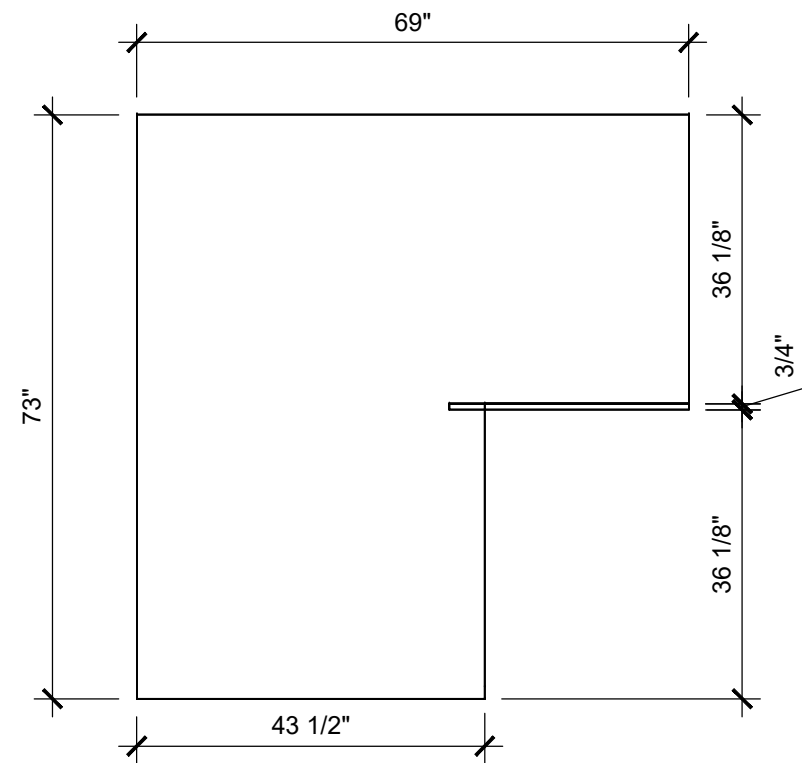
Blot #: 06/23/20  
 Des. By: PQ  
 Dwnr. By: GS  
 Rvsn # 0

**EX**

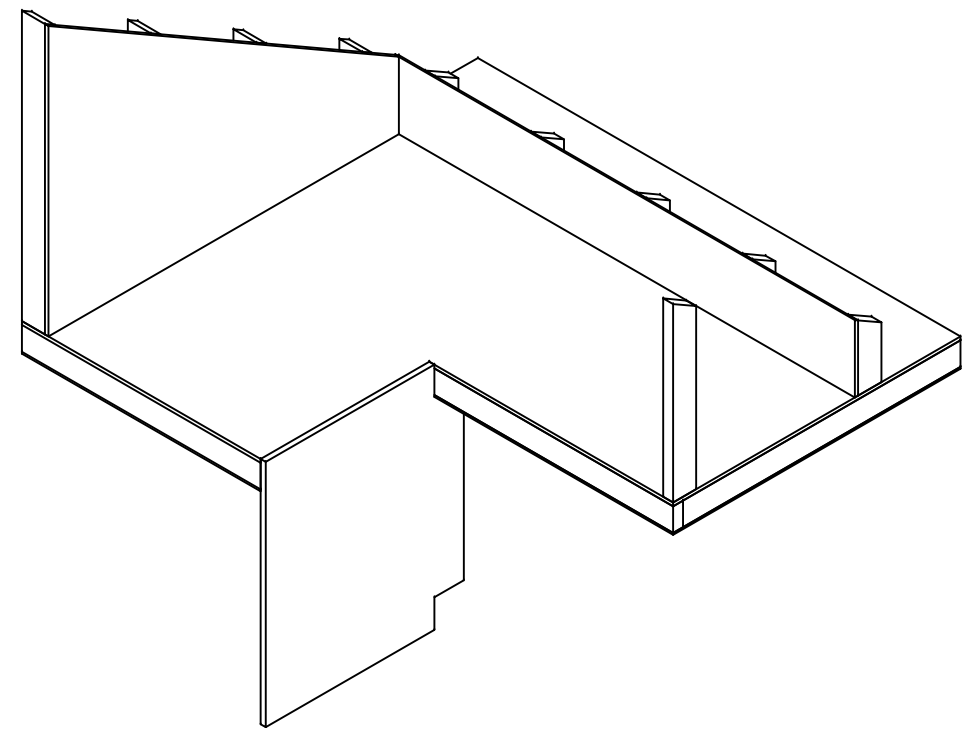
**D.04**



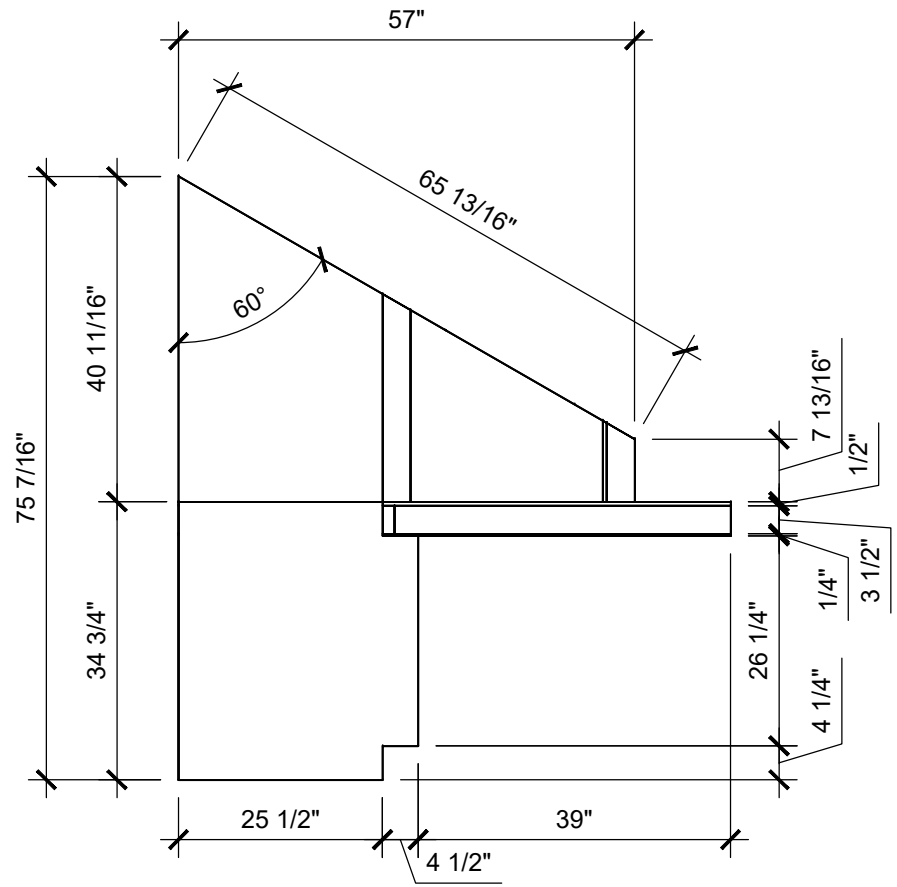
**1 TOP VIEW**  
 SCALE: 1/2"=1'-0"



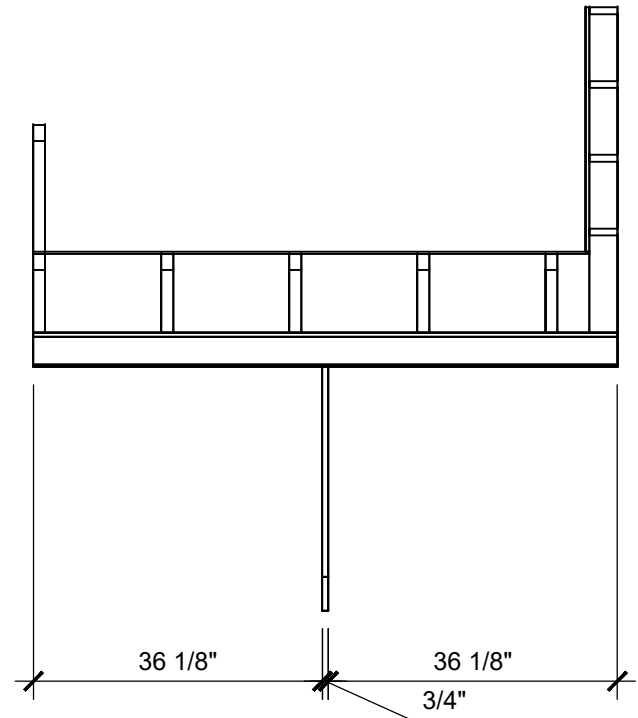
**4 BOTTOM VIEW**  
 SCALE: 1/2"=1'-0"



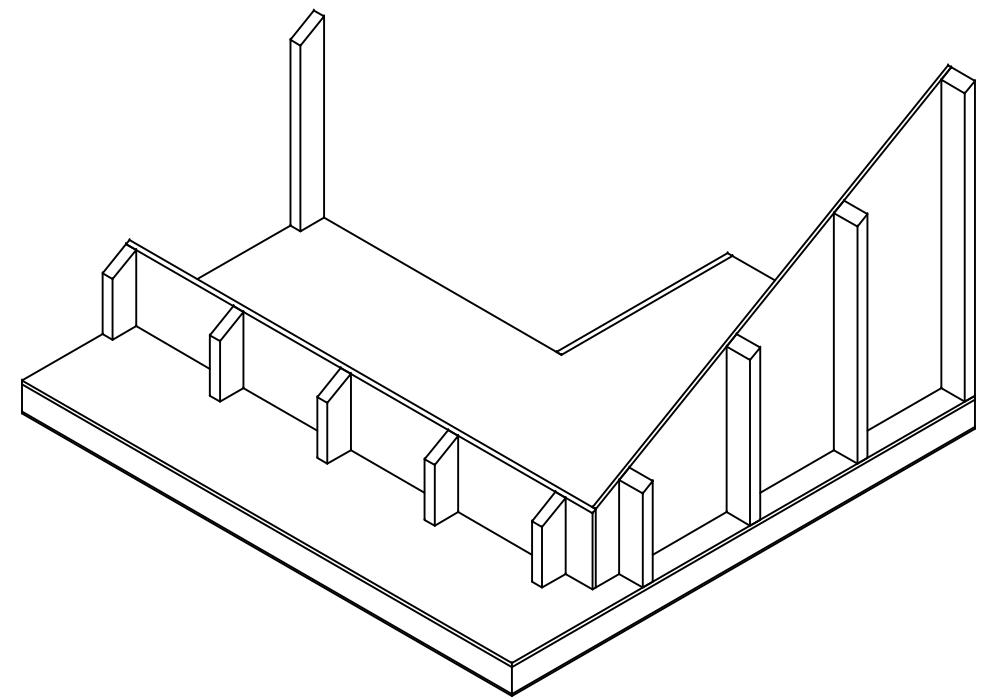
**5 LEFT FRONT ISOMETRIC**  
 NOT TO SCALE



**2 FRONT ELEVATION**  
 SCALE: 1/2"=1'-0"

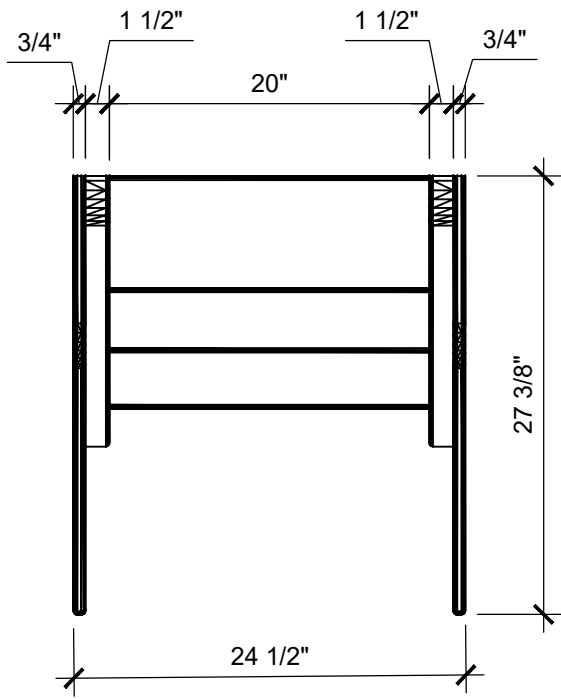


**3 RIGHT ELEVATION**  
 SCALE: 1/2"=1'-0"



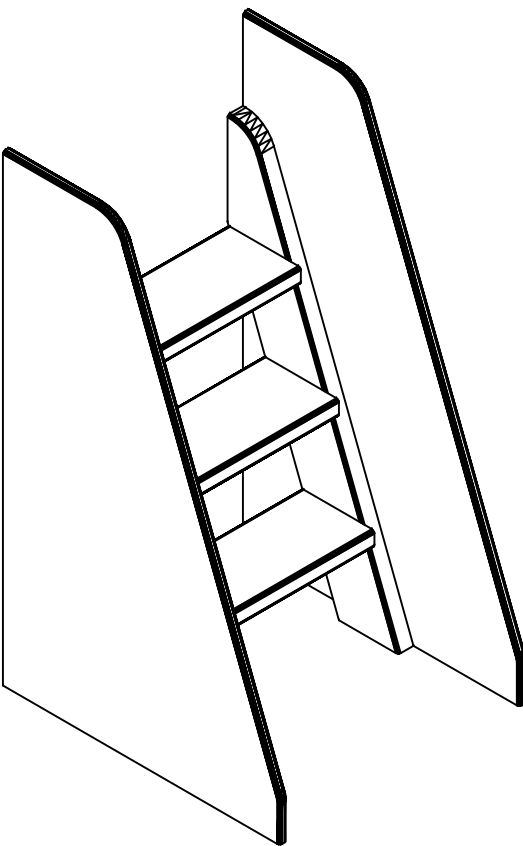
**6 RIGHT FRONT ISOMETRIC**  
 NO TO SCALE





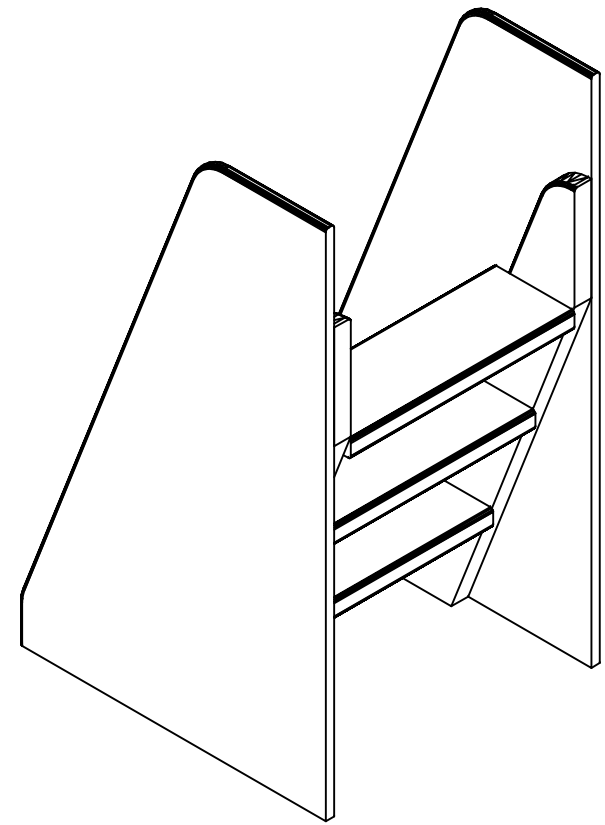
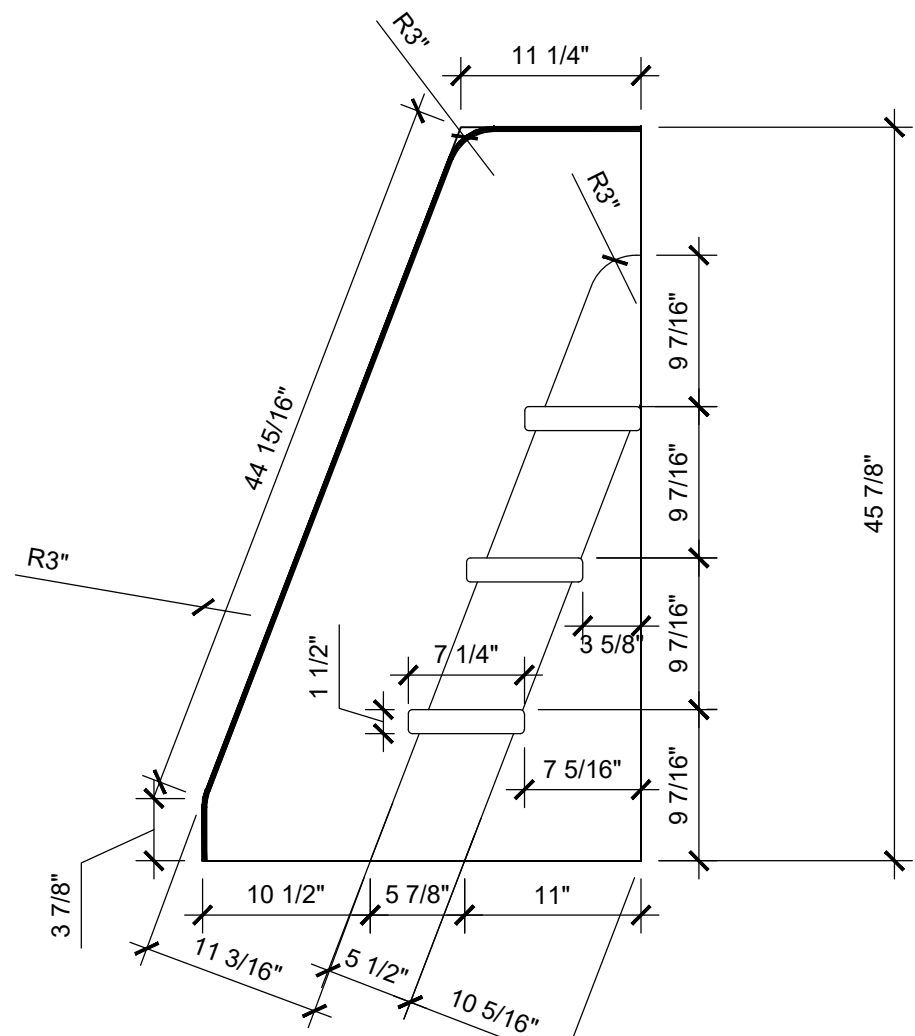
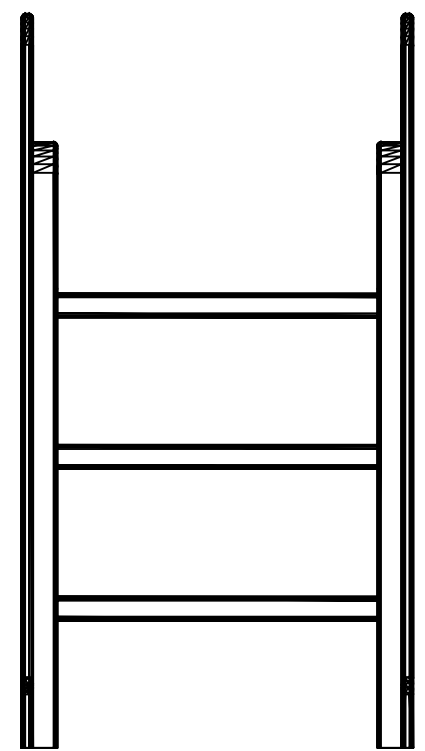
**NOTES:**

- 2X6, 2x8, & MDO CONSTRUCTION
- SOFTEN ALL EXPOSED EDGES
- PAINT FINISH



**1 TOP VIEW**  
SCALE: 1"=1'-0"

**5 LEFT FRONT ISOMETRIC**  
NO TO SCALE



**6 RIGHT FRONT ISOMETRIC**  
NOT TO SCALE

**2 FRONT ELEVATION**  
SCALE: 1"=1'-0"

**3 SIDE SECTION**  
SCALE: 1"=1'-0"

**Construction Drawings**

South Dakota Discovery Center	Blatt:
Soil Exhibits	Des. By: PQ
Crawl Through	Dwnr. By: GS
Ladder	Rvsn # 0