

dave

\*\*Since 1979\*\*

Quotation

CA 103425

**bang assoc., inc. of california**

P.O. Box 1088, Tustin, California 92781  
(800) 669-2585 FAX (800) 729-2483

To Orange USD

Attn: Steve Williams

726 W. Collins Street  
Orange, CA 92867

"Palmyra School Kindergarten"

Option #1

Quotation Date	Salesperson
September 15, 2015	Alex Beron

Terms  
Net 30

Estimated Shipping Date	Shipped Via	F.O.B.
4-6 Weeks	Truck	Orange

Quantity	Description	Unit Price	Total Extended
1	Playworld #PSSD-1108-FTD, "Mega Fun Station" PlaySimple Design with (11) Active Play Events to accommodate (28) children, ages 2-5, in-ground mount (see Drawing #C15028PSSD)  Less Colton Joint USD Piggyback Bid Discount		13,153.00
			(957.85)
			12,495.35
			999.63
			1,987.00
			15,481.98
			8,400.00
			23,881.98

TOTAL DELIVERED AND INSTALLED

Installation by a Licensed Contractor

\*\*TOTAL DELIVERED

Tax 8.00%  
Shipping

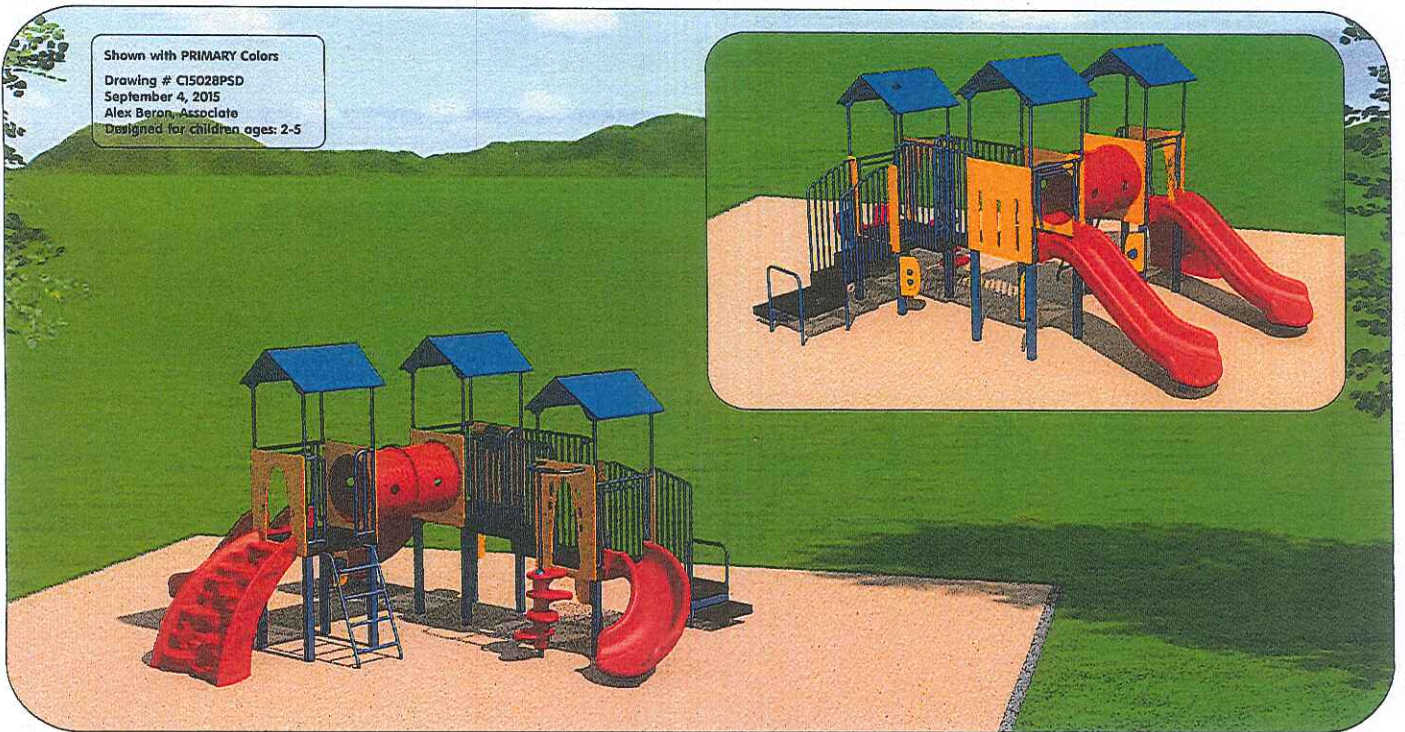
\*Prevailing Wages INCLUDED  
\*Pricing does NOT include removal of existing equipment, safety surfacing, prep work, rerouting of water, electrical, drainage, or sprinkler lines  
\*\*Pricing per Colton Joint USD Piggyback Bid #15-04  
ROCK CLAUSE: Pricing is based on normal soil conditions which would allow an auger on a tractor to dig footings. If rocks/boulders interfere with the progress of the excavation, additional fees may apply.  
ACCESS CLAUSE: Customer to provide 6' access for tractor. If adequate access is not provided additional charges may apply and repairs to landscape and irrigation may be required. Customer is responsible for any repairs to landscape if proper access is not provided.

THANK YOU FOR THIS CHANCE TO QUOTE

WE ARE PLEASED TO SUBMIT THE ABOVE QUOTATION FOR YOUR CONSIDERATION. SHOULD YOU PLEASE ACCEPT, WE ARE REQUESTING THAT YOU SIGN AND RETURN THIS QUOTATION TO US WITHIN 30 DAYS OF THE DATE OF ISSUANCE. YOUR ACCEPTANCE OF THIS QUOTATION SHALL BE DEEMED AS ACCEPTANCE OF ALL TERMS AND CONDITIONS OF OUR STANDARD CONTRACT. ALL PRICES ARE SUBJECT TO CHANGE WITHOUT NOTICE. FAX COPY DEEMED TO BE FINAL. COLLECTION VENUE SHALL BE TUSTIN, CA.

By Alex Beron  
Accepted \_\_\_\_\_ Date \_\_\_\_\_

Thank You!

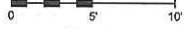


Shown with PRIMARY Colors  
Drawing # C15028PSSD  
September 4, 2015  
Alex Beron, Associate  
Designed for children ages: 2-5



**Palmyra Elementary**  
OPTION #1

Since 1979  
**dave bang**  
associates, inc.

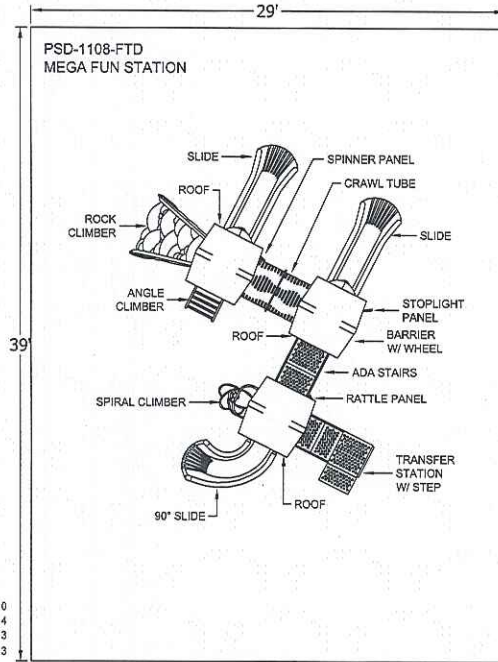


RECOMMENDED AGES: 2-5 YEARS  
 PLAY STRUCTURE AND LAYOUT OF THE COMPONENTS CONFORM TO ASTM AND CPSC GUIDELINES AND CFR TITLE 22, DIVISION 4 CHAPTER 22.

CRITICAL FALL HEIGHT OF OVERALL PLAY AREA: 45"

APPLICABLE ONLY WITH ACCESSIBLE SURFACING:

TOTAL ELEVATED PLAY COMPONENTS:	8	REQUIRED:	0
TOTAL ELEVATED PLAY COMPONENTS ACCESSIBLE BY RAMP:	0	REQUIRED:	4
TOTAL ELEVATED PLAY COMPONENTS ACCESSIBLE BY TRANSFER:	8	REQUIRED:	3
TOTAL ACCESSIBLE GROUND LEVEL COMPONENTS SHOWN:	3	REQUIRED:	3
TOTAL ACCESSIBLE GROUND LEVEL COMPONENTS OF DIFFERENT TYPES:	3	REQUIRED:	3



**2015  
PLAYSIMPLE**

SITE PLAN

PROJECT NO:  
C15028PSD

DATE:  
04-SPET-15

SCALE:  
3/16" = 1'-0"

DRAWN BY:  
Marilyn Allen



**PALMYRA ELEMENTARY**  
 OPTION #1



**PALMYRA ELEMENTARY**

Design Number: C15028PSD - Compliance and Technical Data  
 Reference Document: ASTM F1487

Ref. No.	Part No.	Qty.	Description	Unit ASTM Status	Total Weight (lbs)	Pre-Consumer Recycled Content (lbs)	Post-Consumer Recycled Content (lbs)	CO2e Footprint (kgs)	Users	Install Hours	Concrete (Yds3)	Active Play Events
1	PSD-1108-FT	1	PLAYSIMPLE DESIGN#8 - FOOTED	Certified	1,997.00			TBD	28	30.50	1.25	11
<b>Totals:</b>					<b>1,997.00</b>	<b>0</b>	<b>0</b>	<b>0</b>	<b>28</b>	<b>30.50</b>	<b>1.25</b>	<b>11</b>
					<b>898.65 Kg</b>	<b>0 Kg</b>	<b>0 Kg</b>	<b>0 Metric Tons</b>			<b>0.95 m3</b>	